



CAPITAL 600 MC

FAÇADE LIGHTING

Combining a minimal, neat design with brilliant performance capabilities, **CAPITAL 600 MC** is available with a choice of optics for the maximum lighting design flexibility. Responding to the lighting designer's need for aesthetic appeal and chromatic adaptability, **CAPITAL 600 MC** features multichip LEDs, which enhance seamless light distribution and smooth colour transition. Featuring full independent control of each LED bank, this double cluster luminaire allows absolute freedom to create impressive matching or divergent dynamic effects on large-scale façades with a surprising luminous output.

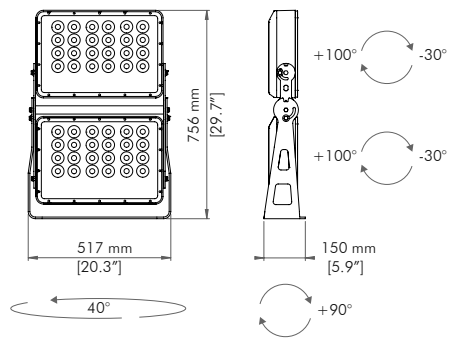


CAPITAL 600 MC

GRIVEN 

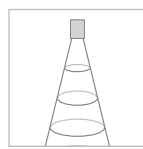
CAPITAL 600 MC

GRIVEND 



BEAM ANGLE REFERENCE

SPOT	7°
NARROW	10°
MEDIUM	23°
WIDE	35°



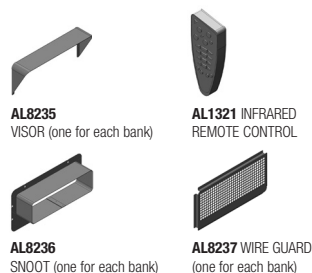
MAX OUTPUT
17661 lm
(SP DW configuration)

PHOTOMETRIC DETAILS AVAILABLE ON OUR WEBSITE

FEATURES AND OPTIONS



ACCESSORIES



CODES

AL5021 CAPITAL 600 MC

AL5023 CAPITAL 600 MC POLAR EDITION

LED TYPE

RN RGB+W 4000K

DW From 3000K to 6500K

CONTROL SYSTEM

R DMX-RDM

W DMX-RDM wireless

D DALI

FINISH

W White RAL 9003

G GRIVEN Grey

A Anthracite RAL 7016

B Black RAL 9005

CABLE TYPE

S POWER IN, DMX IN, DMX OUT

C Monocable with connectors

M Monocable without connectors

OPTICS*

AL8246 SPOT OPTICS

AL8247 NARROW OPTICS

AL8248 MEDIUM OPTICS

AL8249 WIDE OPTICS

NOTES

Unless an RDM compatible control is used, CAPITAL 600 MC must always be purchased with AL1321 Infrared Remote Control. More CAPITAL 600 MC units can be controlled with one AL1321. *CAPITAL 600 MC must always be purchased with two of the above listed optics.

TECHNICAL SPECIFICATIONS

CAPITAL 600 MC is an IP67 powerful floodlight, whose die cast aluminium body hosts 48 high brightness RGBW or Dynamic White multichip LEDs. Dimensions: 517 mm x 150 mm x 756 mm. Available in DMX, automatic and Master-Slave mode, it also features RFU (Remote firmware update), and RDM (Remote device management) functions. DALI or DMX-RDM wireless control available on request. Unless an RDM compatible control is used, one Infrared Remote Control AL1321 must always be purchased for one or more CAPITAL 600 MC units in order to access DMX addressing, stand-alone operations and DMX channels configurations. Power supply: standard 100÷277V / 50-60Hz. Power consumption: 2.6A @ 230V / 490W max. An Electrical Class I appliance, it also features self-resetting fuse protection as well as integrated electronic thermal protection management. The Polar Edition, fitted with an integrated de-icing system with electrically heated glass, is available on request. Operating temperature: -40°C to 50°C (-40°F to 122°F).

DIGITAL CONTROL SYSTEM SPECIFICATIONS AND CONFIGURATIONS AVAILABLE ON OUR WEBSITE



POLAND_Palace of Culture and Science, Warsaw