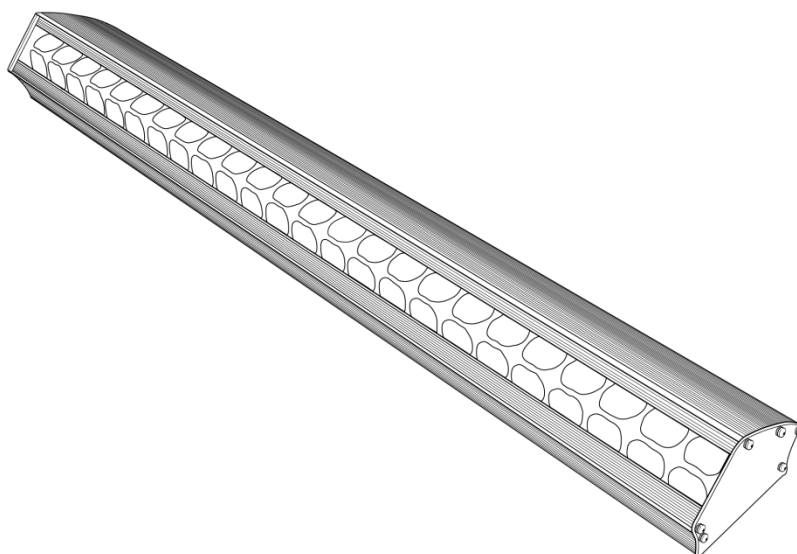


DALIS - 862



FOOTLIGHT

Quick start guide

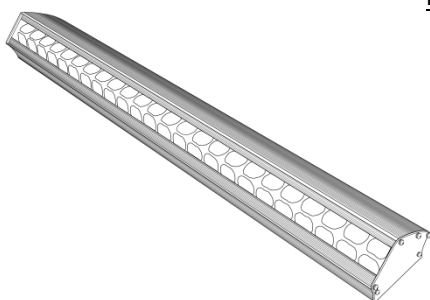


LED 150 W - Variable White Footlight /
Projecteur bain de pied LED 150 W - Blanc variable

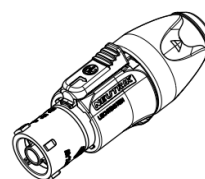


For more information,
Please download the full manual online
http://www.robertjuliat.com/ambiance_lighting/dalis862.html

Package contents:



1x Dalis 862



1x Neutrik PowerCon© True1 connector
(ref. NAC3FX-W)

DALIS - 862
Firmware V2.XX – 15/09/16

DN41106900



ROBERT JULIAT

1 User's instructions

GENERAL INSTRUCTIONS

1. Not for residential use.
2. **These fixtures must only be serviced by a qualified technician.**
3. In addition to the instructions indicated on this page, relevant health and safety requirements of the appropriate EU Directives must be adhered to at all times.
4. This fixture is in compliance with section 17 - Lighting appliance for theatre stages, television, cinema and photograph studios. Standards NF EN 60598-1 and NF EN 60598-2-17.
5. This fixture is rated as IP20, and is for indoor use only.

FIXTURE

6. Ensure fixture is correctly mounted on an appropriate support.
7. Protection screens must be replaced in the event of any damage, such as cracks or deep scratches, since these might reduce performance.

8. **WARNING:** LED source become hot during use. Allow fixture to cool before servicing.
9. Do not tamper with design of fixture nor any of its safety features.
10. Tighten electrical mains cable connections regularly and replace with one of identical specification if damaged.
11. Use only with correct power supply.
12. Do not orientate the fixture towards a source of light (sun, fixture), in particular for LED versions.

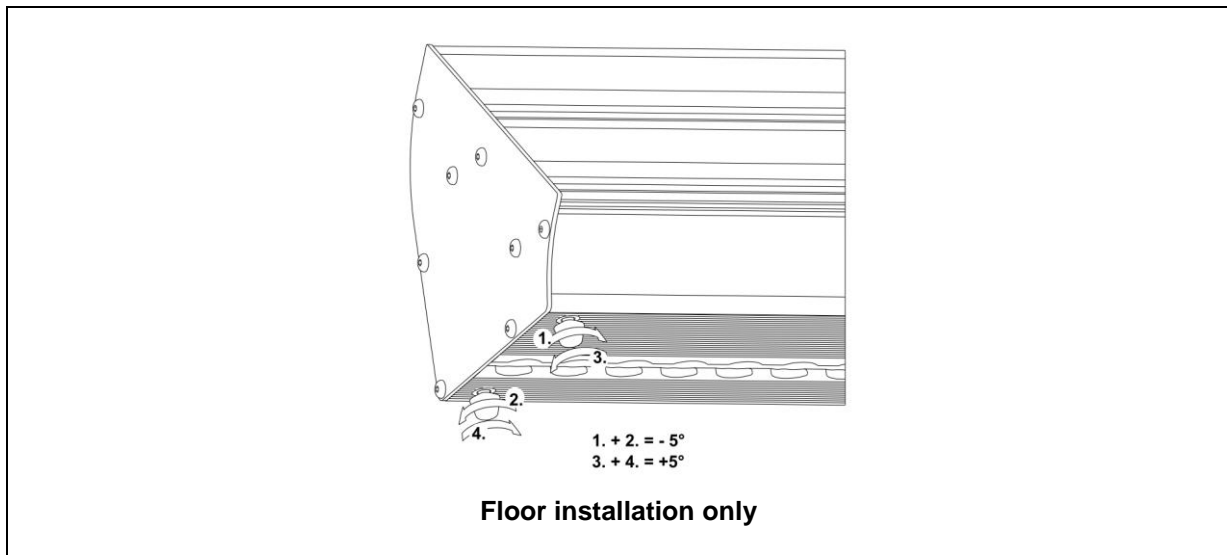
VENTILATION

13. Keep well away from flammable material.
14. Not for outdoor use. Do not cover. Do not permit fixture to get wet.
15. To avoid overheating, do not obstruct air vents.

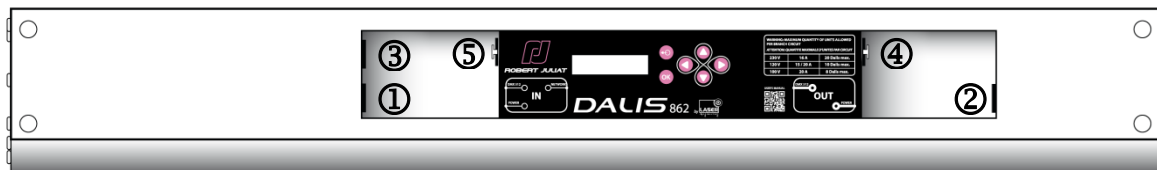
PLEASE NOTE

These products have been built to conform to European standards relating to professional lighting equipment. Any modification made to our products will void the manufacturers' warranty.

2 Installation



3 Electrical / Data connection

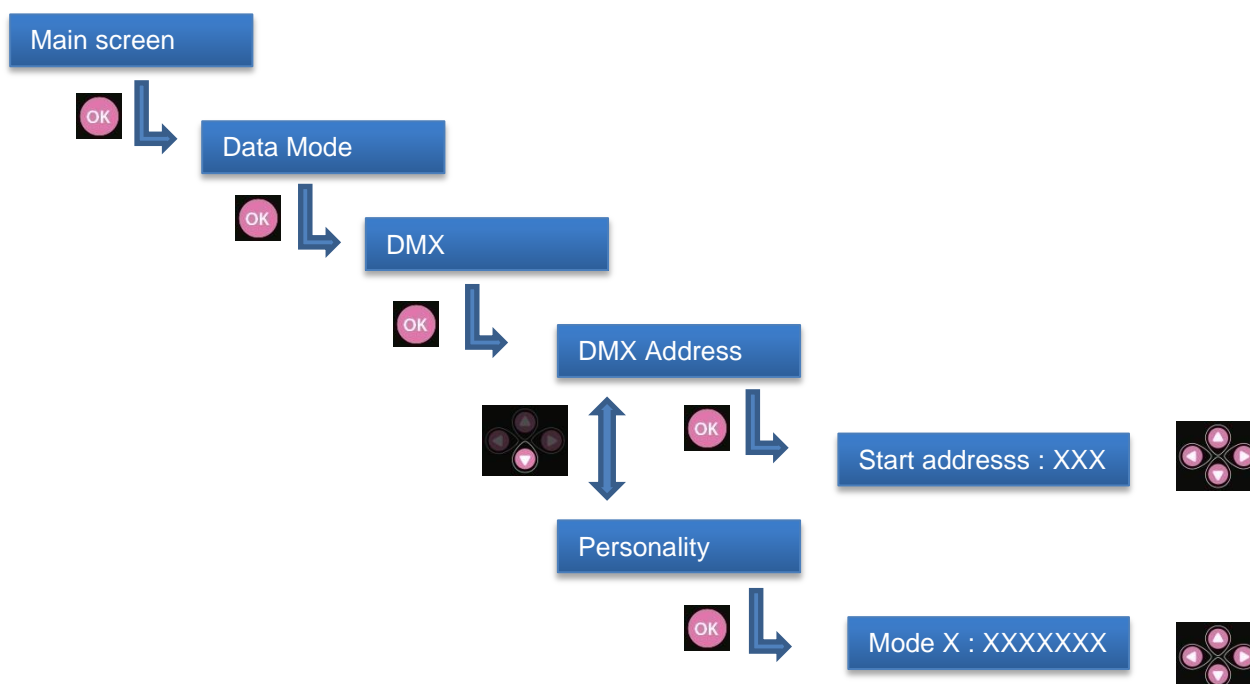


①	Power input :	<ul style="list-style-type: none"> • Connector: Neutrik powerCON TRUE1 • Voltage: 90 → 264V 50/60Hz • Power consumption: 140W max.
②	Power output:	<ul style="list-style-type: none"> • Connector: Neutrik powerCON TRUE1 • Daisy chain: <ul style="list-style-type: none"> ▪ 230V: 20 units max ▪ 120V: 10 units max ▪ 100V: 8 units max
③	Data In:	<ul style="list-style-type: none"> • Connector: XLR 5-pin • Protocol: USITT DMX 512-A / RDM
④	Data Out:	<ul style="list-style-type: none"> • Connector: XLR 5-pin • Protocol: USITT DMX 512-A / RDM
⑤	Ethernet:	<ul style="list-style-type: none"> • Connector: RJ45 • Protocol: Art-Net / sACN + software update

4 DMX control



DMX address and control mode selection:



5 DMX chart

DMX address	Mode 1: Full4groupsmode16b	Mode 2: Full1groupmode16b	Mode 3: Full1groupmode8b	Mode 4: Presetmode16b	Mode 5: Presetmode8b	Mode 6: 4groupsindividual16bits	Mode 7: 4groupsindividualpreset16b
1	Dimmer	Dimmer - US	Dimmer - US	Dimmer	Dimmer	Dimmer - US1	Dimmer - 1
2	Dimmer fine	Dimmer fine - US	Cool white - US	Dimmer fine	Balance	Dimmer fine - US1	Dimmer fine - 1
3	Cool white - US1	Cool white - US	Warm white - US	Balance	CCT	Cool white - US1	Balance - 1
4	Cool white fine - US1	Cool white fine - US	Dimmer - DS	CCT	Strobe duration	Cool white fine - US1	CCT - 1
5	Warm white - US1	Warm white - US	Cool white - DS	Strobe duration	Strobe speed	Warm white - US1	Blue position intensity - 1
6	Warm white fine - US1	Warm white fine - US	Warm white - DS	Strobe speed	Response time	Warm white fine - US1	Red position intensity - 1
7	Cool white - US2	Dimmer - DS	Strobe duration	Response time	Control mode	Dimmer - US2	Dimmer - 2
8	Cool white fine - US2	Dimmer fine - DS	Strobe speed	Control mode	Blue position	Dimmer fine - US2	Dimmer fine - 2
9	Warm white - US2	Cool white - DS	Response time	Blue position	Red position	Cool white - US2	Balance - 2
10	Warm white fine - US2	Cool white fine - DS	Control mode	Red position	Position Intensity	Cool white fine - US2	CCT - 2
11	Cool white - US3	Warm white - DS	Blue position	Position Intensity		Warm white - US2	Blue position intensity - 2
12	Cool white fine - US3	Warm white fine - DS	Red position			Warm white fine - US2	Red position intensity - 2
13	Warm white - US3	Strobe duration	Position Intensity			Dimmer - US3	Dimmer - 3
14	Warm white fine - US3	Strobe speed				Dimmer fine - US3	Dimmer fine - 3
15	Cool white - US4	Response time				Cool white - US3	Balance - 3
16	Cool white fine - US4	Control mode				Cool white fine - US3	CCT - 3
17	Warm white - US4	Blue position				Warm white - US3	Blue position intensity - 3
18	Warm white fine - US4	Red position				Warm white fine - US3	Red position intensity - 3
19	Cool white - DS1	Position Intensity				Dimmer - US4	Dimmer - 4
20	Cool white fine - DS1					Dimmer fine - US4	Dimmer fine - 4
21	Warm white - DS1					Cool white - US4	Balance - 4
22	Warm white fine - DS1					Cool white fine - US4	CCT - 4
23	Cool white - DS2					Warm white - US4	Blue position intensity - 4
24	Cool white fine - DS2					Warm white fine - US4	Red position intensity - 4
25	Warm white - DS2					Dimmer - DS1	
26	Warm white fine - DS2					Dimmer fine - DS1	
27	Cool white - DS3					Cool white - DS1	
28	Cool white fine - DS3					Cool white fine - DS1	
29	Warm white - DS3					Warm white - DS1	
30	Warm white fine - DS3					Warm white fine - DS1	
31	Cool white - DS4					Blue position intensity - 1	
32	Cool white fine - DS4					Red position intensity - 1	
33	Warm white - DS4					Dimmer - DS2	
34	Warm white fine - DS4					Dimmer fine - DS2	
35	Strobe duration					Cool white - DS2	
36	Strobe speed					Cool white fine - DS2	
37	Response time					Warm white - DS2	
38	Control mode					Warm white fine - DS2	
39	Blue position					Blue position intensity - 2	
40	Red position					Red position intensity - 2	
41	Position Intensity					Dimmer - DS3	
42						Dimmer fine - DS3	
43						Cool white - DS3	
44						Cool white fine - DS3	
45						Warm white - DS3	
46						Warm white fine - DS3	
47						Blue position intensity - 3	
48						Red position intensity - 3	
49						Dimmer - DS4	
50						Dimmer fine - DS4	
51						Cool white - DS4	
52						Cool white fine - DS4	
53						Warm white - DS4	
54						Warm white fine - DS4	
55						Blue position intensity - 4	
56						Red position intensity - 4	

	Group 4	Group 3	Group 2	Group 1
US = Up Stage				
DS = Down Stage				