



CAPITAL 600

FAÇADE LIGHTING

Combining a minimal, neat design with brilliant performance capabilities, GRIVEN's latest generation of the **CAPITAL 600** floodlight series is available with a vast choice of combinable optics and colour configurations for the maximum lighting design flexibility. Featuring full independent control of each LED bank, this double cluster luminaire allows absolute freedom to create impressive matching or divergent dynamic effects on large-scale façades and remote spots with a surprising luminous output.

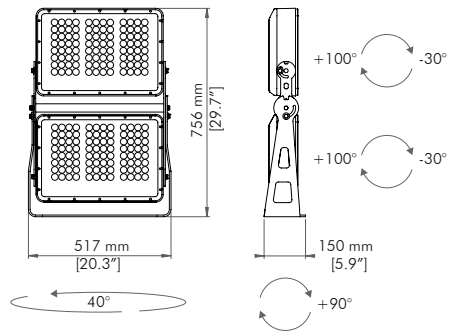


CAPITAL 600

GRIVEN 

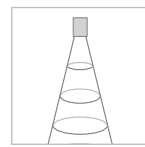
CAPITAL 600

GRIVEN 



BEAM ANGLE REFERENCE

RGBW		WHITE LIGHT	
SPOT	8°	SPOT	12°
NARROW	12°	NARROW	15°
MEDIUM	23°	MEDIUM	25°
WIDE	43°	WIDE	47°
EXTRA WIDE	68°	EXTRA WIDE	61°
ELLIPTICAL	11°x41°	ELLIPTICAL	14°x39°
ELLIPTICAL WIDE	22°x39°	ELLIPTICAL WIDE	23°x37°
WALL WASH	14°(5° incline)x37°	WALL WASH	19°(5° incline)x38°



MAX OUTPUT
62790 lm
(SP CW configuration)

PHOTOMETRIC DETAILS AVAILABLE ON OUR WEBSITE

FEATURES AND OPTIONS



ACCESSORIES



AL8235
VISOR (one for each bank)



AL1321 INFRARED
REMOTE CONTROL



AL8274 BEEHIVE ANTIGLARE
(one for each bank)



AL8236
SNOOT (one for each bank)



AL8237 WIRE GUARD
(one for each bank)

CODES

AL5020 CAPITAL 600

AL5022 CAPITAL 600 POLAR EDITION

LED TYPE

RN RGB+W 4000K
DW From 2700K to 6500K
CW Cold White 6500K
NW Natural White 4000K
WW Warm White 3000K

CONTROL SYSTEM

R DMX-RDM
W DMX-RDM wireless
D DALI

FINISH

W White RAL 9003
G GRIVEN Grey
A Anthracite RAL 7016
B Black RAL 9005

CABLE TYPE

S POWER IN, DMX IN, DMX OUT
C Monocable with connectors
M Monocable without connectors

OPTICS*

AL8239 SPOT OPTICS
AL8240 NARROW OPTICS
AL8241 MEDIUM OPTICS
AL8242 WIDE OPTICS
AL8243 EXTRA WIDE OPTICS
AL8244 ELLIPTICAL OPTICS
AL8245 ELLIPTICAL WIDE OPTICS
AL8275 WALL WASH OPTICS

NOTES

Unless an RDM compatible control is used, CAPITAL 600 must always be purchased with AL1321 Infrared Remote Control. More CAPITAL 600 units can be controlled with one AL1321. *CAPITAL 600 must always be purchased with two of the above listed optics.

TECHNICAL SPECIFICATIONS

CAPITAL 600 is an IP67 powerful single-mount floodlight, whose die cast aluminium body hosts 192 high brightness RGBW, Dynamic White, Cold White, Natural White, Warm White or, on request, monochrome power LEDs. Dimensions: 517 mm x 150 mm x 756 mm. Available in DMX, automatic and Master-Slave mode, it also features RFU (Remote firmware update), and RDM (Remote device management) functions. DALI or DMX-RDM wireless control available on request. Unless an RDM compatible control is used, one Infrared Remote Control AL1321 must always be purchased for one or more CAPITAL 600 units in order to access DMX addressing, stand-alone operations and DMX channels configurations. Power supply: standard 100÷277V / 50-60Hz. Power consumption: RGBW 2.7A @ 230V / 598W max, W 2.6A @ 230V / 580W max. An Electrical Class I appliance, it also features self-resetting fuse protection as well as integrated electronic thermal protection management. The Polar Edition, fitted with an integrated de-icing system with electrically heated glass, is available on request. Operating temperature: -40°C to 50°C (-40°F to 122°F).

DIGITAL CONTROL SYSTEM SPECIFICATIONS AND CONFIGURATIONS AVAILABLE ON OUR WEBSITE



SOUTH KOREA_Yeongkwang Great Bridge, Jeollanam-Do Province