



CAPITAL 200 US

FAÇADE LIGHTING

Allowing a smooth blending in every architectural background through its modern design and extremely sleek profile, **CAPITAL 200 US** delivers a powerful output from a compact body with outstanding performances at long distances owing to its ultra narrow optics.

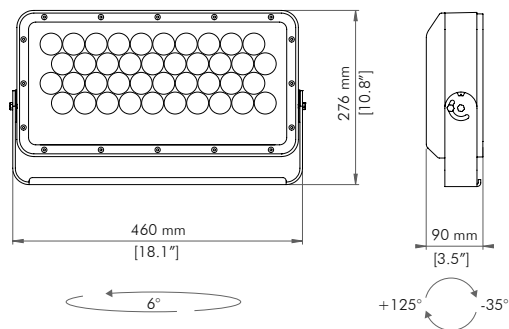


CAPITAL 200 US

GRIVEND

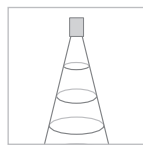
CAPITAL 200 US

GRIVEND 



BEAM ANGLE REFERENCE

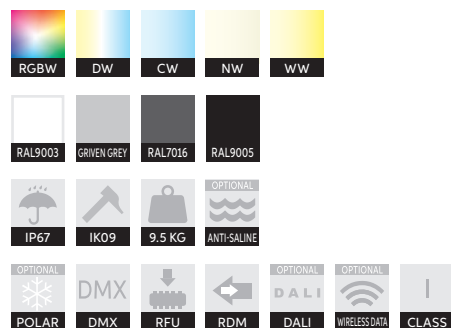
ULTRA SPOT 3.2°



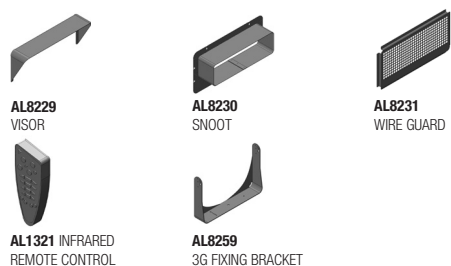
MAX OUTPUT
6950 lm
(US CW configuration)

PHOTOMETRIC DETAILS AVAILABLE ON OUR WEBSITE

FEATURES AND OPTIONS



ACCESSORIES



CODES

AL5010 CAPITAL 200

AL5012 CAPITAL 200 POLAR EDITION

OPTICS

US Ultra spot

LED TYPE

RN RGB+W 4000K
DW From 2700K to 6500K
CW Cold White 6500K
NW Natural White 4000K
WW Warm White 3000K

CONTROL SYSTEM

R DMX-RDM
W DMX-RDM wireless
D DALI

FINISH

W White RAL 9003
G GRIVEN Grey
A Anthracite RAL 7016
B Black RAL 9005

CABLE TYPE

S POWER IN, DMX IN, DMX OUT
C Monocable with connectors
M Monocable without connectors

NOTES

Unless an RDM compatible control is used, CAPITAL 200 US must always be purchased with AL1321 Infrared Remote Control. More CAPITAL 200 US units can be controlled with one AL1321.

TECHNICAL SPECIFICATIONS

CAPITAL 200 US is an IP67 medium sized floodlight, whose die cast aluminium body hosts 40 high brightness RGBW, Dynamic White, Cold White, Natural White, Warm White or, on request, monochrome power LEDs. Dimensions: 460 mm x 90 mm x 276 mm. Available in DMX, automatic and Master-Slave mode, it also features RFU (Remote firmware update), and RDM (Remote device management) functions. DALI or DMX-RDM wireless control available on request. Unless an RDM compatible control is used, one Infrared Remote Control AL1321 must always be purchased for one or more CAPITAL 200 US units in order to access DMX addressing, stand-alone operations and DMX channels configurations. Power supply: standard 100÷277V / 50-60Hz. Power consumption: 0.63A @ 230V / 139W max. An Electrical Class I appliance, it also features self-resetting fuse protection as well as integrated electronic thermal protection management. The Polar Edition, fitted with an integrated de-icing system with electrically heated glass, is available on request. Operating temperature: -40°C to 50°C (-40°F to 122°F).

DIGITAL CONTROL SYSTEM SPECIFICATIONS AND CONFIGURATIONS AVAILABLE ON OUR WEBSITE



HUNGARY_Puskás Arena, Budapest