

ColorSource™ Spot Photometry Guide

ColorSource Series



ColorSource Spot

ColorSource Spot - Fresnel Adapter

ColorSource Spot Deep Blue

ColorSource Spot Deep Blue - Fresnel Adapter



Throw Distance Multiplier (TDM)

To determine the distance from the center of the beam (Origin) to a certain illuminance level at a particular distance, multiply the desired throw distance by the TDM desired on the Iso-Illuminance diagram.

Throw Distance (TD) x Throw Distance Multiplier (TDM) = Distance from the Origin (DfO) (distance from the center of the beam)
Example: 25 feet (TD) x 0.047 (TDM) = 1.175 feet from center of beam (DfO)

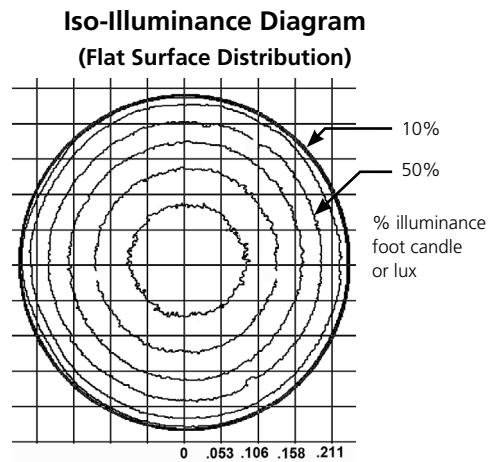


TABLE OF CONTENTS

COLORSOURCE SPOT

5°	4
10°	4
14°	5
19° EDLT	5
26° EDLT	6
36° EDLT	6
50° LT	7
70°	7
90°	8
15-30° Zoom Narrow	8
15-30° Zoom Mid	9
15-30° Zoom Wide	9
25-50° Zoom Narrow	10
25-50° Zoom Mid	10
25-50° Zoom Wide	11

COLORSOURCE SPOT WITH FRESNEL ADAPTER

ColorSource Spot with Fresnel adapter - Spot	12
ColorSource Spot with Fresnel adapter - Mid	12
ColorSource Spot with Fresnel adapter - Flood	13

COLORSOURCE SPOT DEEP BLUE

5°	14
10°	14
14°	15
19° EDLT	15
26° EDLT	16
36° EDLT	16
50° LT	17
70°	17
90°	18
15-30° Zoom Narrow	18
15-30° Zoom Mid	19
15-30° Zoom Wide	19
25-50° Zoom Narrow	20
25-50° Zoom Mid	20
25-50° Zoom Wide	21

COLORSOURCE SPOT DEEP BLUE WITH FRESNEL ADAPTER

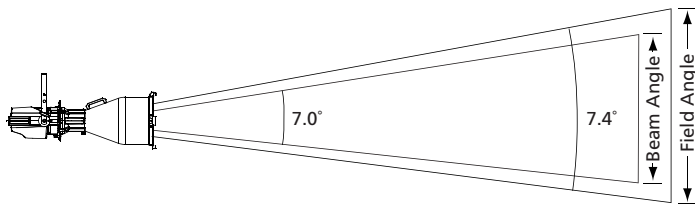
ColorSource Spot Deep Blue with Fresnel adapter - Spot	22
ColorSource Spot Deep Blue with Fresnel adapter - Mid	22
ColorSource Spot Deep Blue with Fresnel adapter - Flood	23

ColorSource Series

ColorSource Spot 5°

Mode	Degree	Candela	Field Lumens	Beam Lumens	Power Consumption	Efficacy (lpw)
Maximum Output	5°	397,563	3,979	3,765	160	24.9
At 3200K	5°	358,269	3,609	3,428	115	31.4
At 5600K	5°	373,500	3,752	3,577	141	26.6

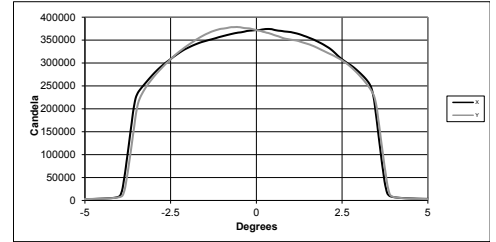
Metric conversions: For meters, multiply feet by 0.3048
For lux, multiply footcandles by 10.76



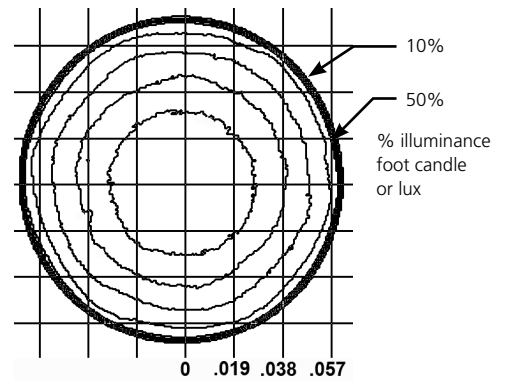
Throw Distance (d)	10ft	15ft	20ft	30ft	611.9ft
	3.0m	4.6m	6.1m	9.1m	186.5m
Field Diameter	1.3ft	1.9ft	2.6ft	3.9ft	-
	0.4m	0.6m	0.8m	1.2m	
Illuminance (fc)	3,744	1,664	936	416.0	1
Illuminance (lux)	40,302	17,912	10,075	4,478	10.76

For field diameter at any distance, multiply distance by 0.129
For beam diameter at any distance, multiply by 0.122

Candela Plot



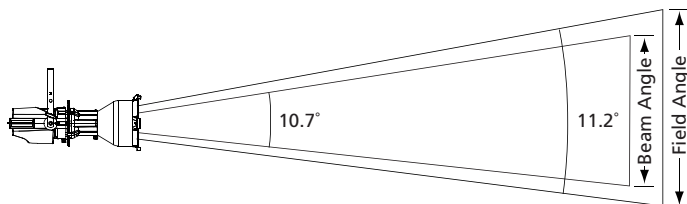
Iso-Illuminance Diagram (Flat Surface Distribution)



ColorSource Spot 10°

Mode	Degree	Candela	Field Lumens	Beam Lumens	Power Consumption	Efficacy (lpw)
Maximum Output	10°	242,720	4,985	4,582	160	31.2
Regulated 3200K	10°	218,731	4,522	4,172	115	39.3
Regulated 5600K	10°	228,029	4,700	4,354	141	33.3

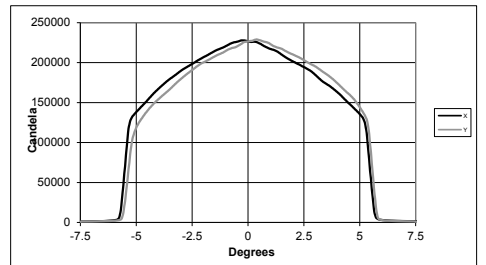
Metric Conversions: For meters, multiply feet by 0.3048
For lux, multiply footcandles by 10.76



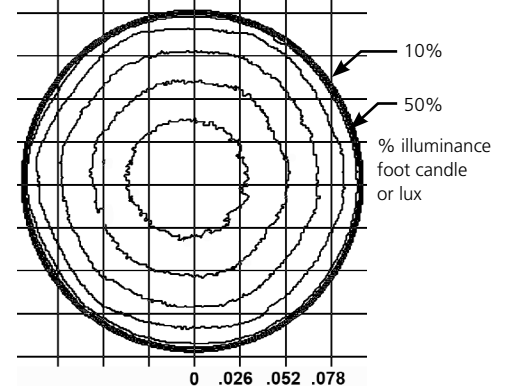
Throw Distance (d)	10ft	15ft	20ft	30ft	492.7ft
	3.0m	4.6m	6.1m	9.1m	150.2m
Field Diameter	2.0ft	2.9ft	3.9ft	5.9ft	-
	0.6m	0.9m	1.2m	1.8m	
Illuminance (fc)	2,427	1,079	607	269.7	1
Illuminance (lux)	26,126	11,612	6,532	2,903	10.76

For field diameter at any distance, multiply distance by 0.196
For beam diameter at any distance, multiply by 0.187

Candela Plot



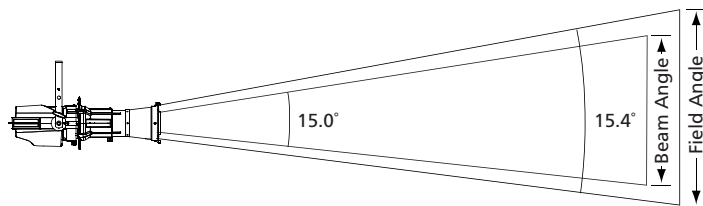
Iso-Illuminance Diagram (Flat Surface Distribution)



ColorSource Spot 14°

Mode	Degree	Candela	Field Lumens	Beam Lumens	Power Consumption	Efficacy (lpw)
Maximum Output	14°	120,344	4,983	4,747	160	31.1
At 3200K	14°	108,449	4,520	4,322	115	39.3
At 5600K	14°	113,060	4,699	4,510	141	33.3

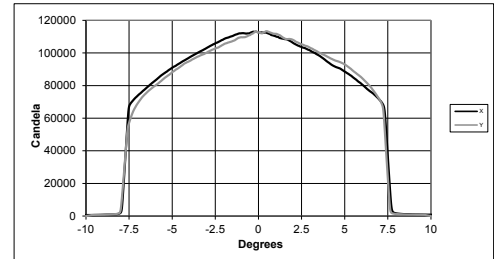
Metric conversions: For meters, multiply feet by 0.3048
For lux, multiply footcandles by 10.76



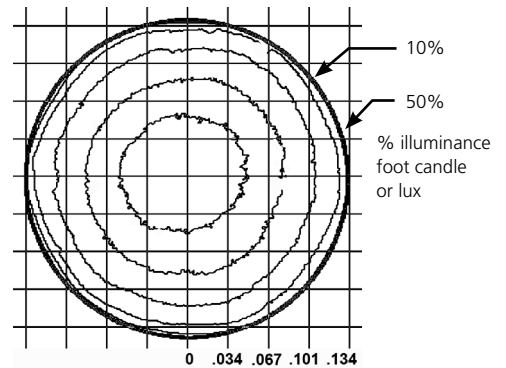
Throw Distance (d)	10ft	15ft	20ft	30ft	346.9ft
	3.0m	4.6m	6.1m	9.1m	105.7m
Field Diameter	2.7ft	4.1ft	5.4ft	8.1ft	-
	0.8m	1.2m	1.6m	2.5m	-
Illuminance (fc)	1,203	535	301	133.7	1
Illuminance (lux)	12,954	5,757	3,238	1,439	10.76

For field diameter at any distance, multiply distance by 0.270
For beam diameter at any distance, multiply by 0.263

Candela Plot



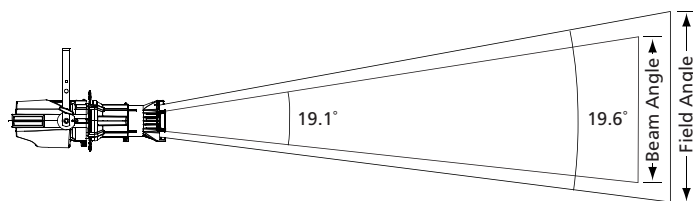
Iso-Illuminance Diagram (Flat Surface Distribution)



ColorSource Spot 19° EDLT

Mode	Degree	Candela	Field Lumens	Beam Lumens	Power Consumption	Efficacy (lpw)
Maximum Output	19°	75,485	5,115	4,800	160	32.0
At 3200K	19°	68,024	4,640	4,371	115	40.3
At 5600K	19°	70,916	4,823	4,561	141	34.2

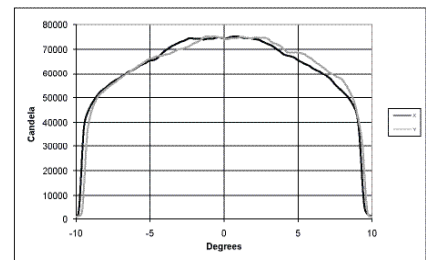
Metric Conversions: For meters, multiply feet by 0.3048
For lux, multiply footcandles by 10.76



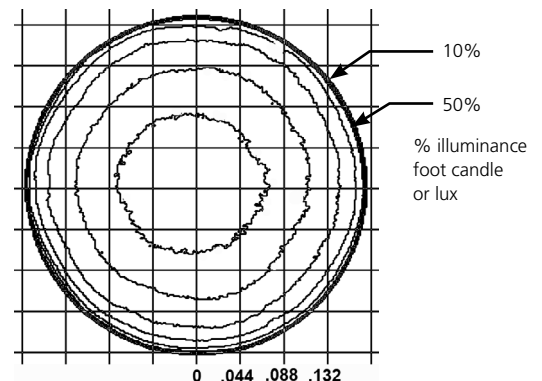
Throw Distance (d)	10ft	15ft	20ft	30ft	274.7ft
	3.0m	4.6m	6.1m	9.1m	83.7m
Field Diameter	3.5ft	5.2ft	6.9ft	10.4ft	-
	1.1m	1.6m	2.1m	3.2	-
Illuminance (fc)	755	335	189	83.9	1
Illuminance (lux)	8,125	3,611	2,031	903	10.76

For field diameter at any distance, multiply distance by 0.345
For beam diameter at any distance, multiply by 0.336

Candela Plot



Iso-Illuminance Diagram (Flat Surface Distribution)

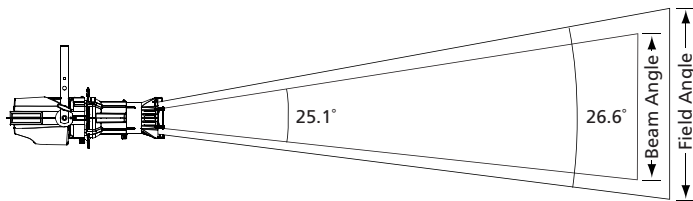


ColorSource Series

ColorSource Spot 26° EDLT

Mode	Degree	Candela	Field Lumens	Beam Lumens	Power Consumption	Efficacy (lpw)
Maximum Output	26°	52,210	6,105	5,251	160	38.2
At 3200K	26°	47,050	5,538	4,781	115	48.2
At 5600K	26°	49,050	5,757	4,989	141	40.8

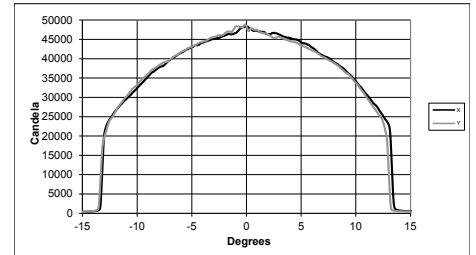
Metric conversions: For meters, multiply feet by 0.3048
For lux, multiply footcandles by 10.76



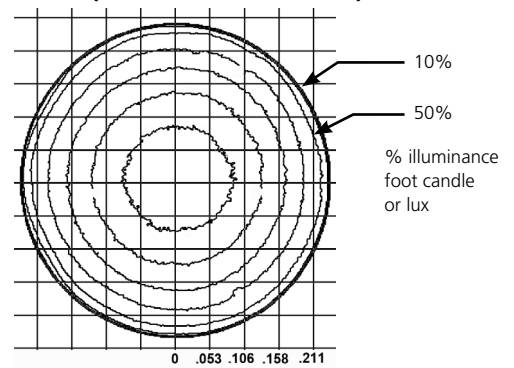
Throw Distance (d)	10ft	15ft	20ft	30ft	221.7ft
	3.0m	4.6m	6.1m	9.1m	67.6m
Field Diameter	4.7ft	7.1ft	9.5ft	14.2ft	-
	1.4m	2.2m	2.9m	4.3m	
Illuminance (fc)	492	219	123	54.6	1
Illuminance (lux)	5,293	2,352	1,323	588	10.76

For field diameter at any distance, multiply distance by 0.473
For beam diameter at any distance, multiply by 0.445

Candela Plot



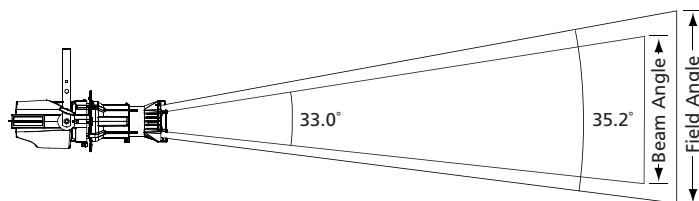
Iso-Illuminance Diagram (Flat Surface Distribution)



ColorSource Spot 36° EDLT

Mode	Degree	Candela	Field Lumens	Beam Lumens	Power Consumption	Efficacy (lpw)
Maximum Output	36°	29,053	5,887	4,775	160	36.8
At 3200K	36°	26,181	5,340	4,347	115	46.4
At 5600K	36°	27,294	5,551	4,537	141	39.4

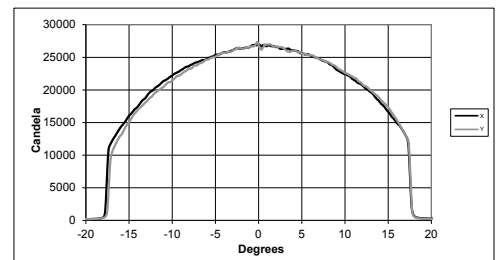
Metric Conversions: For meters, multiply feet by 0.3048
For lux, multiply footcandles by 10.76



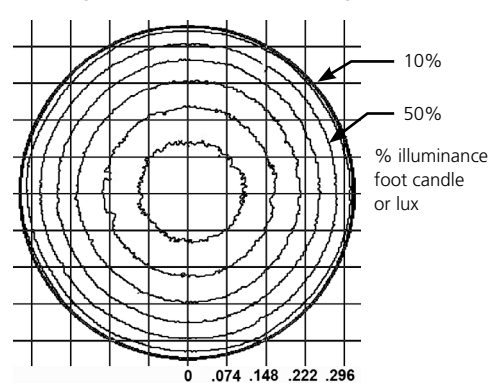
Throw Distance (d)	10ft	15ft	20ft	30ft	170.4ft
	3.0m	4.6m	6.1m	9.1m	52.0
Field Diameter	6.3ft	9.5ft	12.7ft	19.0ft	-
	1.9m	2.9m	3.9m	5.8m	
Illuminance (fc)	291	129	73	32.3	1
Illuminance (lux)	3,127	1,390	782	347	10.76

For field diameter at any distance, multiply distance by 0.634
For beam diameter at any distance, multiply by 0.592

Candela Plot



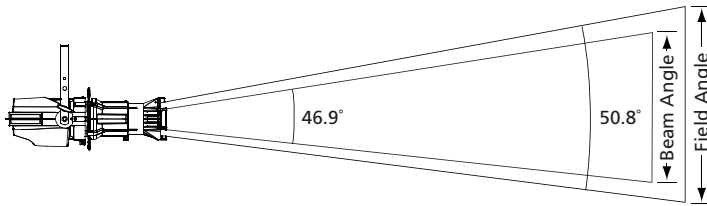
Iso-Illuminance Diagram (Flat Surface Distribution)



ColorSource Spot 50° EDLT

Mode	Degree	Candela	Field Lumens	Beam Lumens	Power Consumption	Efficacy (lpw)
Maximum Output	50°	14,370	5,926	4,190	160	37.0
At 3200K	50°	12,950	5,375	3,815	115	46.7
At 5600K	50°	13,501	5,588	3,981	141	39.6

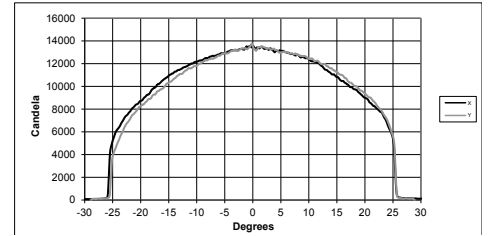
Metric conversions: For meters, multiply feet by 0.3048
For lux, multiply footcandles by 10.76



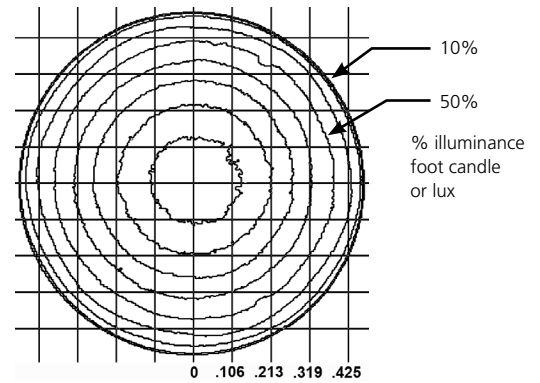
Throw Distance (d)	10ft	15ft	20ft	30ft	119.9ft
	3.0m	4.6m	6.1m	9.1m	36.5m
Field Diameter	9.5ft	14.2ft	19.0ft	28.5ft	-
	2.9m	4.3m	5.8m	8.7m	-
Illuminance (fc)	144	64	36	16.0	1
Illuminance (lux)	1,547	687	387	172	10.76

For field diameter at any distance, multiply distance by 0.950
For beam diameter at any distance, multiply by 0.868

Candela Plot



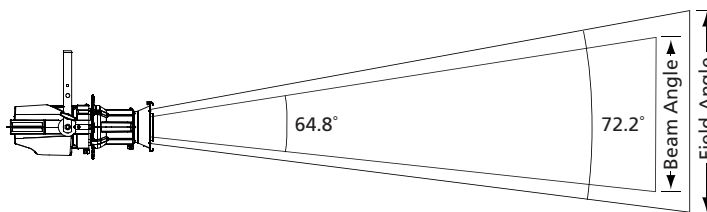
Iso-Illuminance Diagram (Flat Surface Distribution)



ColorSource Spot 70°

Mode	Degree	Candela	Field Lumens	Beam Lumens	Power Consumption	Efficacy (lpw)
Maximum Output	70°	9,005	6,940	3,757	160	43.4
At 3200K	70°	8,115	6,296	3,420	115	54.7
At 5600K	70°	8,460	6,544	3,569	141	46.4

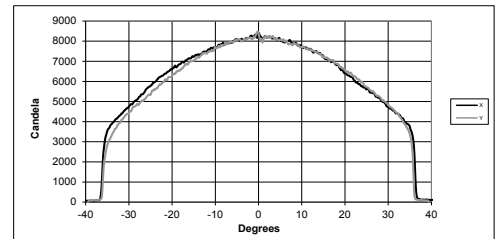
Metric conversions: For meters, multiply feet by 0.3048
For lux, multiply footcandles by 10.76



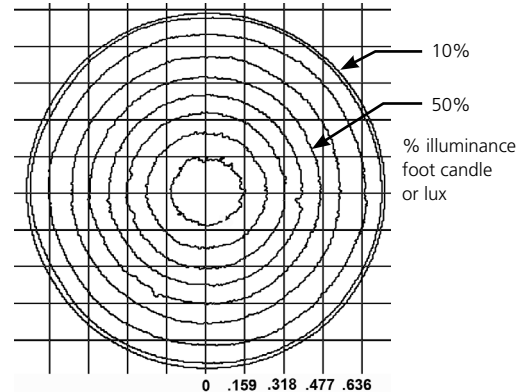
Throw Distance (d)	10ft	15ft	20ft	30ft	94.9ft
	3.0m	4.6m	6.1m	9.1m	28.9m
Field Diameter	14.6ft	21.9ft	29.2ft	43.8ft	-
	4.4m	6.7m	8.9m	13.3m	-
Illuminance (fc)	90	40	23	10.0	1
Illuminance (lux)	969	431	242	108	10.76

For field diameter at any distance, multiply distance by 1.458
For beam diameter at any distance, multiply by 1.269

Candela Plot



Iso-Illuminance Diagram (Flat Surface Distribution)

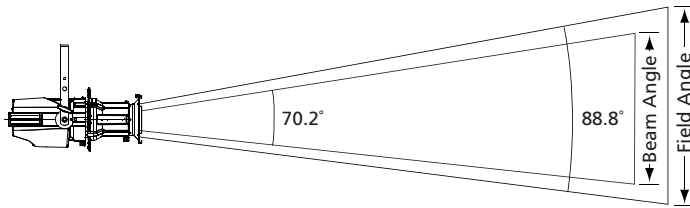


ColorSource Series

ColorSource Spot 90°

Mode	Degree	Candela	Field Lumens	Beam Lumens	Power Consumption	Efficacy (lpw)
Maximum Output	90°	6,894	6,792	3,140	160	42.4
At 3200K	90°	6,212	6,161	2,859	115	53.6
At 5600K	90°	6,476	6,405	2,983	141	45.4

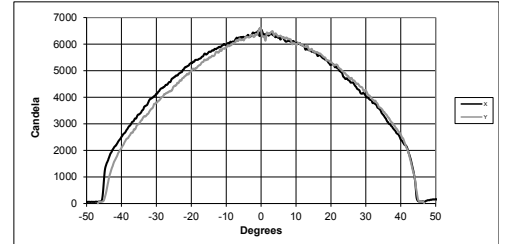
Metric conversions: For meters, multiply feet by 0.3048
For lux, multiply footcandles by 10.76



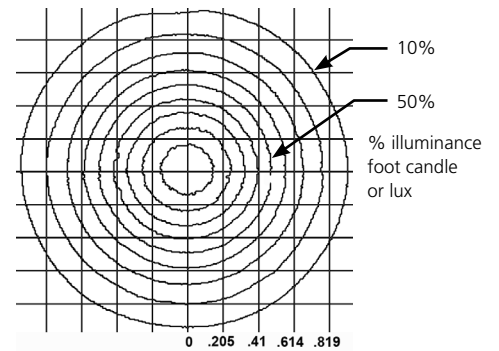
Throw Distance (d)	10ft	15ft	20ft	30ft	83.0ft
	3.0m	4.6m	6.1m	9.1m	25.3m
Field Diameter	19.6ft	29.4ft	39.2ft	58.5ft	-
	6.0m	9.0m	11.9m	17.9m	-
Illuminance (fc)	69	31	17	7.7	1
Illuminance (lux)	742	330	186	82	10.76

For field diameter at any distance, multiply distance by 1.959
For beam diameter at any distance, multiply by 1.406

Candela Plot



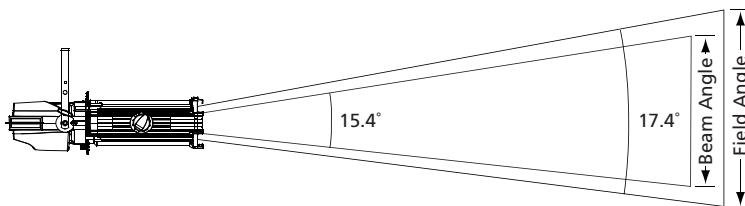
Iso-Illuminance Diagram (Flat Surface Distribution)



ColorSource Spot 15-30° Zoom Narrow

Mode	Degree	Candela	Field Lumens	Beam Lumens	Power Consumption	Efficacy (lpw)
Maximum Output	15°	98,331	4,689	3,712	160	29.3
At 3200K	15°	88,612	4,254	3,380	115	37.0
At 5600K	15°	92,379	4,422	3,527	141	31.4

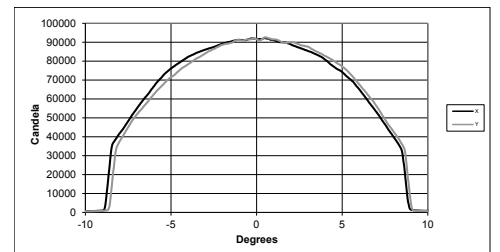
Metric conversions: For meters, multiply feet by 0.3048
For lux, multiply footcandles by 10.76



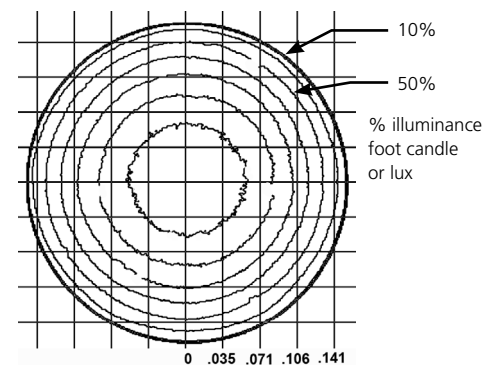
Throw Distance (d)	10ft	15ft	20ft	30ft	313.6ft
	3.0m	4.6m	6.1m	9.1m	95.6m
Field Diameter	3.1ft	4.6ft	6.1ft	9.2ft	-
	0.9m	1.4m	1.9m	2.8m	-
Illuminance (fc)	983	437	246	109.3	1
Illuminance (lux)	10,584	4,704	2,646	1,176	10.76

For field diameter at any distance, multiply distance by 0.306
For beam diameter at any distance, multiply by 0.270

Candela Plot



Iso-Illuminance Diagram (Flat Surface Distribution)

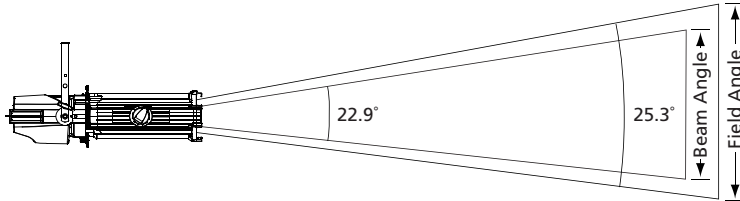


ColorSource Series

ColorSource Spot 15-30° Zoom Mid

Mode	Degree	Candela	Field Lumens	Beam Lumens	Power Consumption	Efficacy (lpw)
Maximum Output	23°	54,694	5,368	4,109	160	33.6
At 3200K	23°	49,288	4,870	3,741	115	42.3
At 5600K	23°	51,384	5,062	3,904	141	35.9

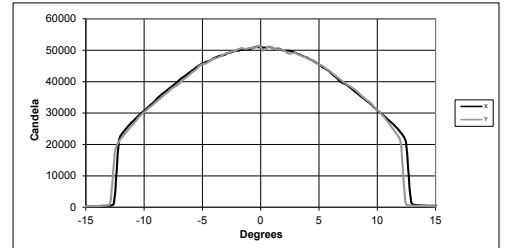
Metric conversions: For meters, multiply feet by 0.3048
For lux, multiply footcandles by 10.76



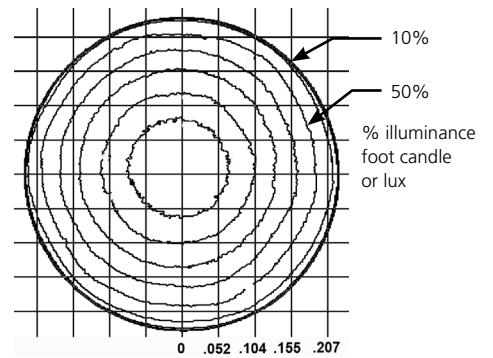
Throw Distance (d)	10ft	15ft	20ft	30ft	233.9ft
	3.0m	4.6m	6.1m	9.1m	71.3m
Field Diameter	4.5ft	6.7ft	9.0ft	13.5ft	-
	1.4m	2.1m	2.7m	4.1m	-
Illuminance (fc)	547	243	137	60.8	1
Illuminance (lux)	5,887	2,617	1,472	654	10.76

For field diameter at any distance, multiply distance by 0.449
For beam diameter at any distance, multiply by 0.405

Candela Plot



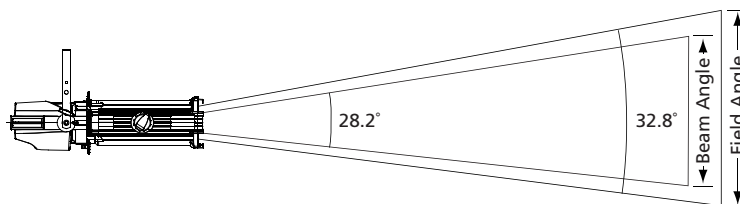
Iso-Illuminance Diagram (Flat Surface Distribution)



ColorSource Spot 15-30° Zoom Wide

Mode	Degree	Candela	Field Lumens	Beam Lumens	Power Consumption	Efficacy (lpw)
Maximum Output	30°	32,520	5,083	3,682	160	31.8
At 3200K	30°	29,306	4,611	3,353	115	40.1
At 5600K	30°	30,552	4,793	3,498	141	34.0

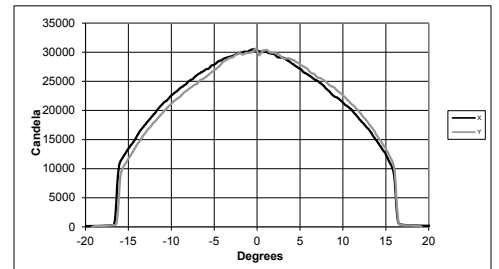
Metric conversions: For meters, multiply feet by 0.3048
For lux, multiply footcandles by 10.76



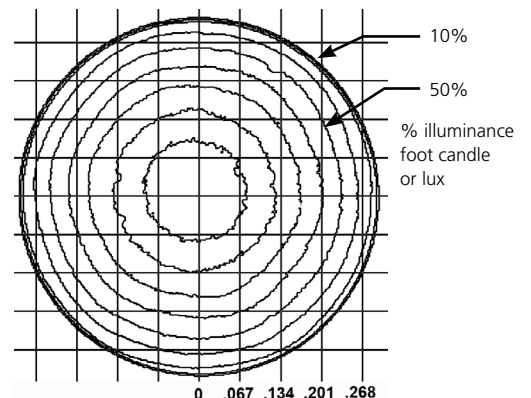
Throw Distance (d)	10ft	15ft	20ft	30ft	180.3ft
	3.0m	4.6m	6.1m	9.1m	55.0m
Field Diameter	5.9ft	8.8ft	11.8ft	17.7ft	-
	1.8m	2.7m	3.6m	5.4m	-
Illuminance (fc)	325	145	81	36.1	1
Illuminance (lux)	3,500	1,556	875	389	10.76

For field diameter at any distance, multiply distance by 0.589
For beam diameter at any distance, multiply by 0.502

Candela Plot



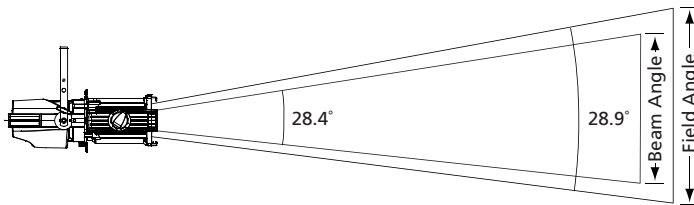
Iso-Illuminance Diagram (Flat Surface Distribution)



ColorSource Spot 25-50° Zoom Narrow

Mode	Degree	Candela	Field Lumens	Beam Lumens	Power Consumption	Efficacy (lpw)
Maximum Output	25°	41,624	6,269	5,850	160	39.2
At 3200K	25°	37,510	5,687	5,327	115	49.5
At 5600K	25°	39,104	5,912	5,558	141	41.9

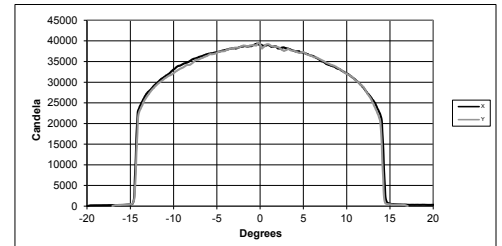
Metric conversions: For meters, multiply feet by 0.3048
For lux, multiply footcandles by 10.76



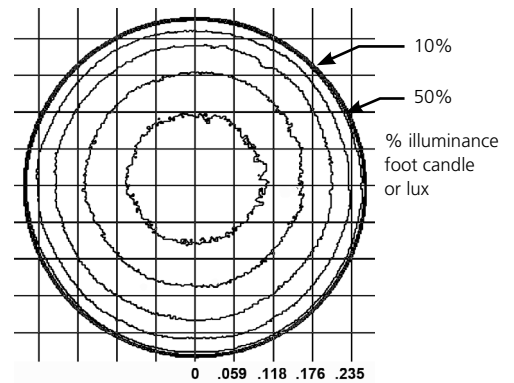
Throw Distance (d)	10ft	15ft	20ft	30ft	204.0ft
	3.0m	4.6m	6.1m	9.1m	62.2m
Field Diameter	5.2ft	7.7ft	10.3ft	15.5ft	-
	1.6m	2.4m	3.1m	4.7m	
Illuminance (fc)	416	185	104	46.2	1
Illuminance (lux)	4,480	1,991	1,120	498	10.76

For field diameter at any distance, multiply distance by 0.515
For beam diameter at any distance, multiply by 0.506

Candela Plot



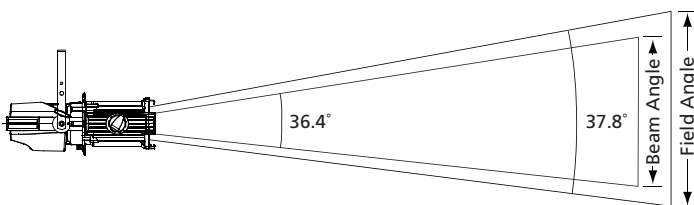
Iso-Illuminance Diagram (Flat Surface Distribution)



ColorSource Spot 25-50° Zoom Mid

Mode	Degree	Candela	Field Lumens	Beam Lumens	Power Consumption	Efficacy (lpw)
Maximum Output	37°	26,903	6,635	5,621	160	41.5
At 3200K	37°	24,244	6,019	5,118	115	52.3
At 5600K	37°	25,274	6,257	5,341	141	44.4

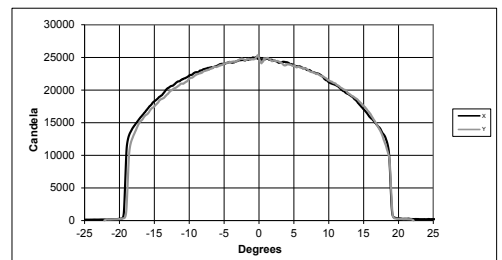
Metric conversions: For meters, multiply feet by 0.3048
For lux, multiply footcandles by 10.76



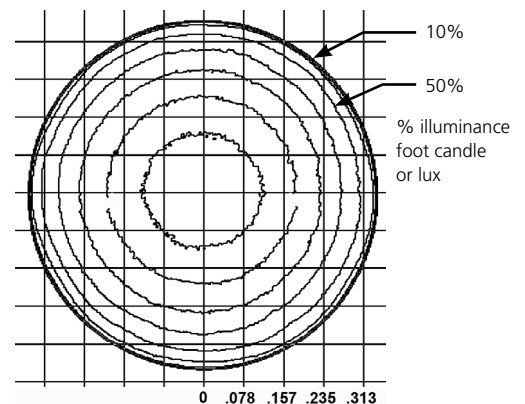
Throw Distance (d)	10ft	15ft	20ft	30ft	164.0ft
	3.0m	4.6m	6.1m	9.1m	50.0m
Field Diameter	6.8ft	10.3ft	13.7ft	20.5ft	-
	2.1m	3.1m	4.2m	6.3m	
Illuminance (fc)	269	120	67	29.9	1
Illuminance (lux)	2,896	1,287	724	322	10.76

For field diameter at any distance, multiply distance by 0.685
For beam diameter at any distance, multiply by 0.658

Candela Plot



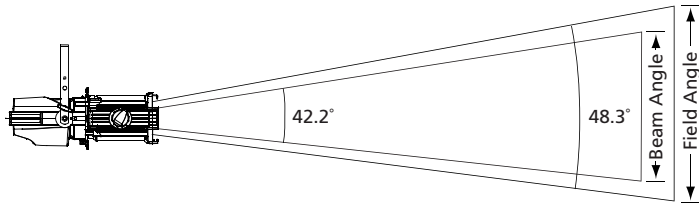
Iso-Illuminance Diagram (Flat Surface Distribution)



ColorSource Spot 25-50° Zoom Wide

Mode	Degree	Candela	Field Lumens	Beam Lumens	Power Consumption	Efficacy (lpw)
Maximum Output	50°	17,850	6,567	4,303	160	41.0
At 3200K	50°	16,086	5,957	3,918	115	51.8
At 5600K	50°	16,770	6,192	4,088	141	43.9

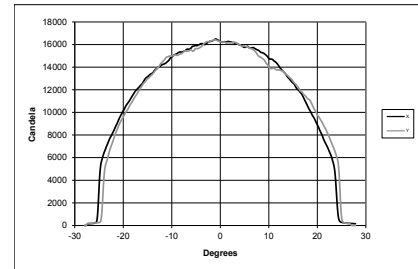
Metric conversions: For meters, multiply feet by 0.3048
For lux, multiply footcandles by 10.76



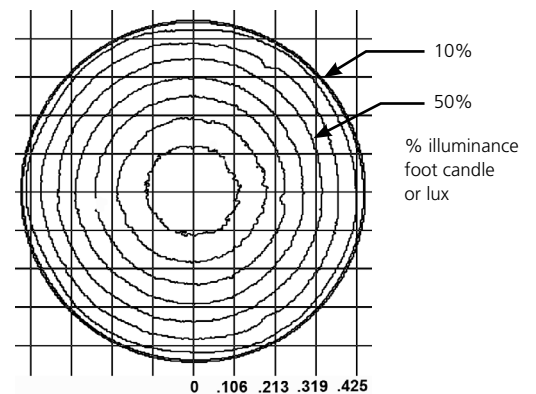
Throw Distance (d)	10ft	15ft	20ft	30ft	133.6ft
	3.0m	4.6m	6.1m	9.1m	40.7m
Field Diameter	9.0ft	13.5ft	17.9ft	26.9ft	-
	2.7m	4.1m	5.5m	8.2m	
Illuminance (fc)	179	79	45	19.8	1
Illuminance (lux)	1,921	854	480	213	10.76

For field diameter at any distance, multiply distance by 0.897
For beam diameter at any distance, multiply by 0.772

Candela Plot



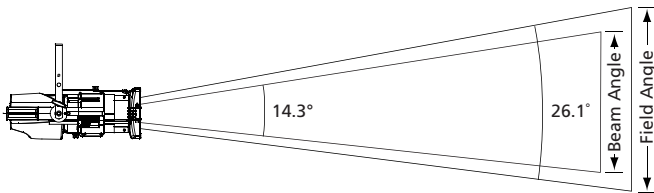
Iso-Illuminance Diagram (Flat Surface Distribution)



ColorSource Spot with Fresnel Adapter - Spot

Mode	Candela	Field Lumens	Beam Lumens	Power Consumption	Efficacy (lpw)
Maximum Output	72,784	4,459	2,297	160	27.9
At 3200K	65,962	4,041	2,082	115	35.1
At 5600K	68,722	4,210	2,169	141	29.9

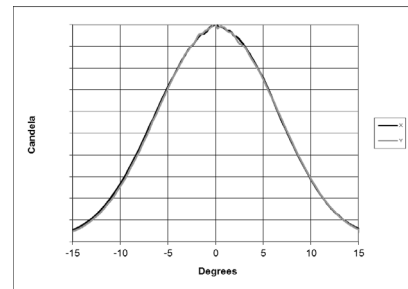
Metric conversions: For meters, multiply feet by 0.3048
For lux, multiply foot-candles by 10.76



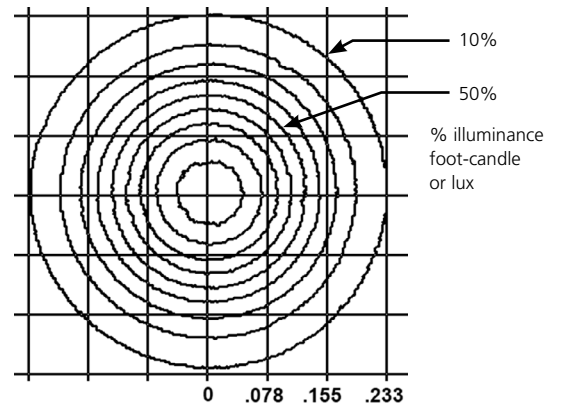
Throw Distance (d)	10ft	15ft	20ft	30ft	269.8ft
	3.0m	4.6m	6.1m	9.1m	82.2m
Field Diameter	4.6ft	7.0ft	9.3ft	13.9ft	-
	1.4m	2.1m	2.8m	4.2m	-
Illuminance (fc)	728	323	182	80.9	1.0
Illuminance (lux)	7,834	3,482	1,959	870	10.76

For field diameter at any distance, multiply distance by 0.464
For beam diameter at any distance, multiply by 0.251

Candela Plot



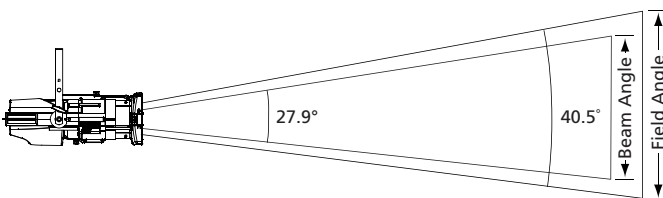
Iso-Illuminance Diagram (Flat Surface Distribution)



ColorSource Spot with Fresnel Adapter - Mid

Mode	Candela	Field Lumens	Beam Lumens	Power Consumption	Efficacy (lpw)
Maximum Output	33,268	6,290	4,211	160	39.3
At 3200K	30,150	5,701	3,816	115	49.6
At 5600K	31,412	5,939	3,976	141	42.1

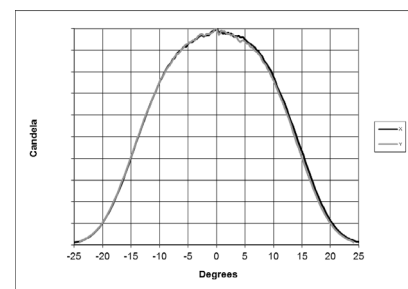
Metric conversions: For meters, multiply feet by 0.3048
For lux, multiply foot-candles by 10.76



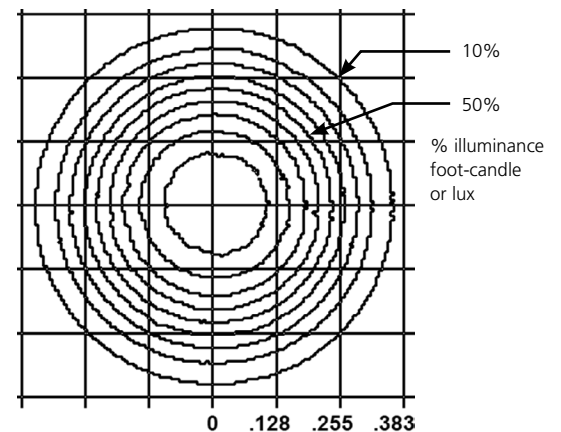
Throw Distance (d)	10ft	15ft	20ft	30ft	182.4ft
	3.0m	4.6m	6.1m	9.1m	55.6m
Field Diameter	7.4ft	11.1ft	14.8ft	22.1ft	-
	2.2m	3.4m	4.5m	6.7m	-
Illuminance (fc)	333	148	83	37.0	1.0
Illuminance (lux)	3,581	1,592	895	398	10.76

For field diameter at any distance, multiply distance by 0.738
For beam diameter at any distance, multiply by 0.497

Candela Plot



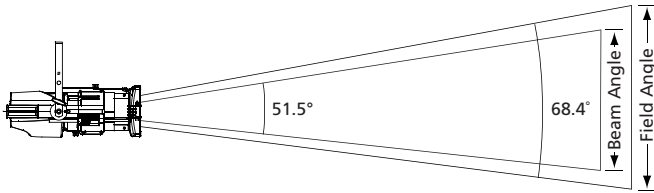
Iso-Illuminance Diagram (Flat Surface Distribution)



ColorSource Spot with Fresnel Adapter - Flood

Mode	Candela	Field Lumens	Beam Lumens	Power Consumption	Efficacy (lpw)
Maximum Output	11,284	6,475	4,292	160	40.5
At 3200K	10,227	5,868	3,889	115	51.0
At 5600K	10,655	6,113	4,052	141	43.4

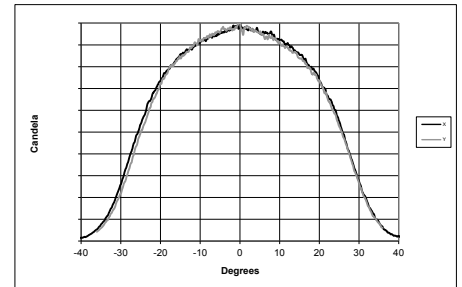
Metric conversions: For meters, multiply feet by 0.3048
 For lux, multiply foot-candles by 10.76



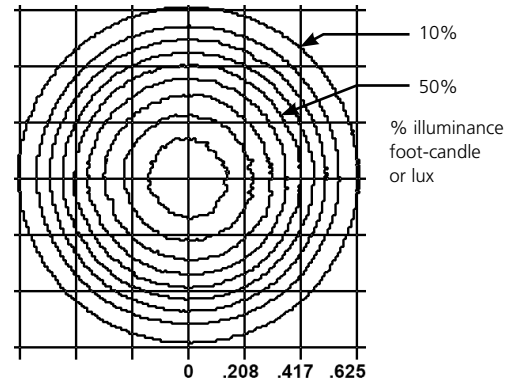
Throw Distance (d)	10ft	15ft	20ft	30ft	106.2ft
	3.0m	4.6m	6.1m	9.1m	32.4m
Field Diameter	13.6ft 4.1m	20.4ft 6.2m	27.2ft 8.3m	40.8ft 12.4m	-
Illuminance (fc)	113	50	28	12.5	1.0
Illuminance (lux)	1,215	540	304	135	10.76

For field diameter at any distance, multiply distance by 1.359
 For beam diameter at any distance, multiply by 0.965

Candela Plot



Iso-Illuminance Diagram (Flat Surface Distribution)

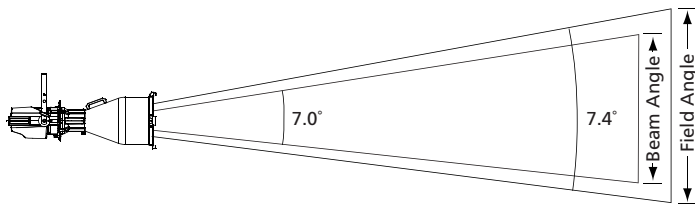


ColorSource Series

ColorSource Spot Deep Blue 5°

Mode	Degree	Candela	Field Lumens	Beam Lumens	Power Consumption	Efficacy (lpw)
Maximum Output	5°	394,801	3,999	3,735	169	23.7
At 3200K	5°	395,247	4,004	3,739	127	31.5
At 5600K	5°	349,788	3,543	3,309	113	31.4

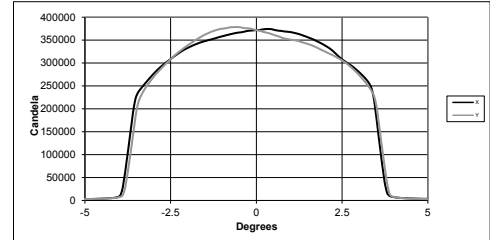
Metric conversions: For meters, multiply feet by 0.3048
For lux, multiply footcandles by 10.76



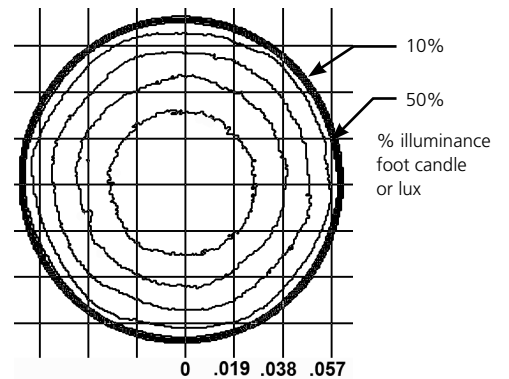
Throw Distance (d)	10ft	15ft	20ft	30ft	585.5ft
	3.0m	4.6m	6.1m	9.1m	178.5m
Field Diameter	1.3ft	1.9ft	2.6ft	3.9ft	-
	0.4m	0.6m	0.8m	1.2m	
Illuminance (fc)	3,428	1,524	857	380.9	1
Illuminance (lux)	36,902	16,401	9,225	4,100	10.76

For field diameter at any distance, multiply distance by 0.129
For beam diameter at any distance, multiply by 0.122

Candela Plot



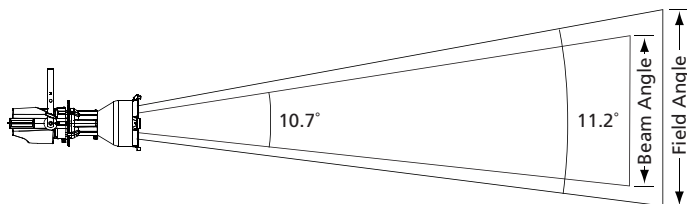
Iso-Illuminance Diagram (Flat Surface Distribution)



ColorSource Spot Deep Blue 10°

Mode	Degree	Candela	Field Lumens	Beam Lumens	Power Consumption	Efficacy (lpw)
Maximum Output	10°	241,034	5,011	4,546	169	29.6
Regulated 3200K	10°	241,306	5,016	4,551	127	39.5
Regulated 5600K	10°	213,552	4,439	4,027	113	39.3

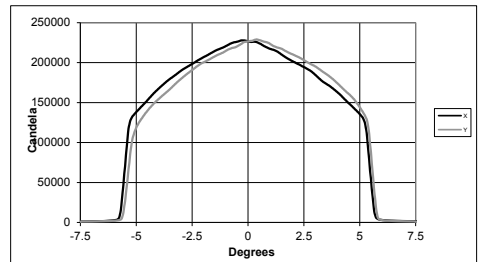
Metric Conversions: For meters, multiply feet by 0.3048
For lux, multiply footcandles by 10.76



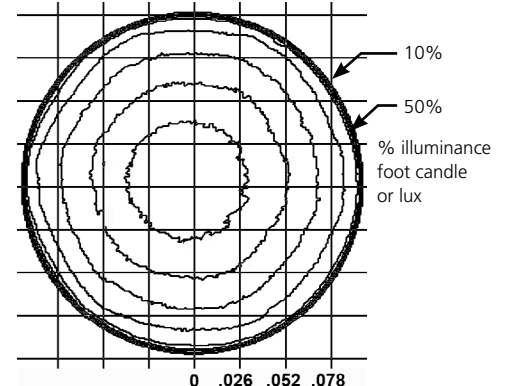
Throw Distance (d)	10ft	15ft	20ft	30ft	491.0ft
	3.0m	4.6m	6.1m	9.1m	149.6m
Field Diameter	2.0ft	2.9ft	3.9ft	5.9ft	-
	0.6m	0.9m	1.2m	1.8m	
Illuminance (fc)	2,410	1,071	603	267.8	1
Illuminance (lux)	25,945	11,531	6,486	2,886	10.76

For field diameter at any distance, multiply distance by 0.196
For beam diameter at any distance, multiply by 0.187

Candela Plot



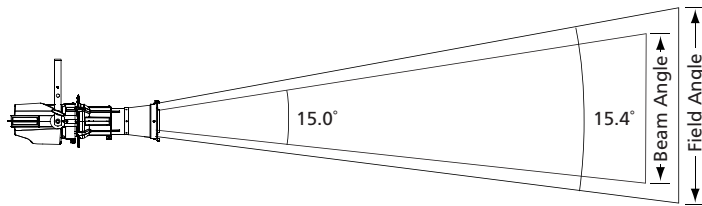
Iso-Illuminance Diagram (Flat Surface Distribution)



ColorSource Spot Deep Blue 14°

Mode	Degree	Candela	Field Lumens	Beam Lumens	Power Consumption	Efficacy (lpw)
Maximum Output	14°	119,508	5,009	4,709	169	29.6
At 3200K	14°	119,643	5,014	4,714	127	39.5
At 5600K	14°	105,882	4,438	4,172	113	39.3

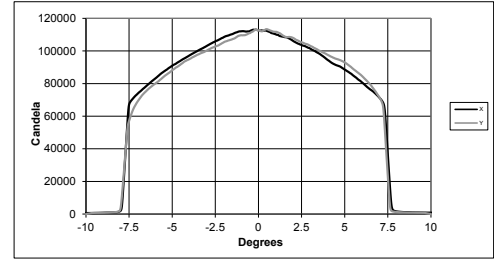
Metric conversions: For meters, multiply feet by 0.3048
For lux, multiply footcandles by 10.76



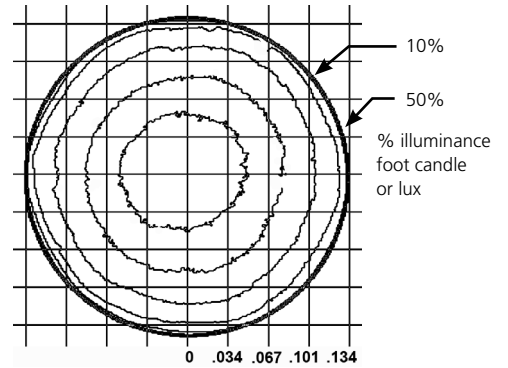
Throw Distance (d)	10ft	15ft	20ft	30ft	345.7ft
	3.0m	4.6m	6.1m	9.1m	105.4m
Field Diameter	2.7ft	4.1ft	5.4ft	8.1ft	-
	0.8m	1.2m	1.6m	2.5m	
Illuminance (fc)	1,195	531	299	132.8	1
Illuminance (lux)	12,864	5,717	3,216	1,429	10.76

For field diameter at any distance, multiply distance by 0.270
For beam diameter at any distance, multiply by 0.263

Candela Plot



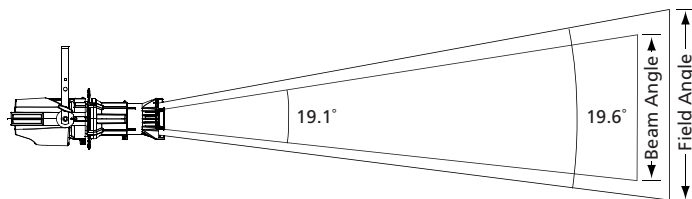
Iso-Illuminance Diagram (Flat Surface Distribution)



ColorSource Spot Deep Blue 19° EDLT

Mode	Degree	Candela	Field Lumens	Beam Lumens	Power Consumption	Efficacy (lpw)
Maximum Output	19°	74,960	5,142	4,762	169	30.4
At 3200K	19°	75,045	5,147	4,767	127	40.5
At 5600K	19°	66,414	4,555	4,219	113	40.3

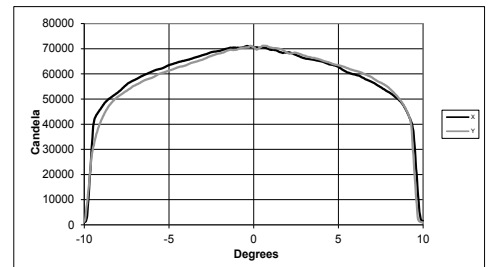
Metric Conversions: For meters, multiply feet by 0.3048
For lux, multiply footcandles by 10.76



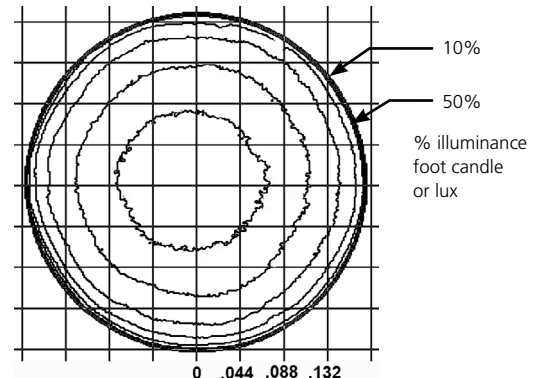
Throw Distance (d)	10ft	15ft	20ft	30ft	273.8ft
	3.0m	4.6m	6.1m	9.1m	83.5m
Field Diameter	3.5ft	5.2ft	6.9ft	10.4ft	-
	1.1m	1.6m	2.1m	3.2	
Illuminance (fc)	750	333	187	83.3	1
Illuminance (lux)	8,069	3,586	2,017	897	10.76

For field diameter at any distance, multiply distance by 0.345
For beam diameter at any distance, multiply by 0.336

Candela Plot



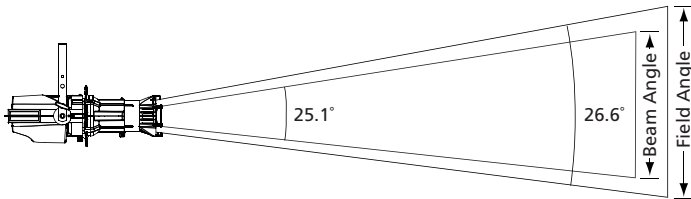
Iso-Illuminance Diagram (Flat Surface Distribution)



ColorSource Spot Deep Blue 26° EDLT

Mode	Degree	Candela	Field Lumens	Beam Lumens	Power Consumption	Efficacy (lpw)
Maximum Output	26°	51,847	6,137	5,209	169	36.3
At 3200K	26°	51,906	6,144	5,215	127	48.4
At 5600K	26°	45,936	5,437	4,615	113	48.1

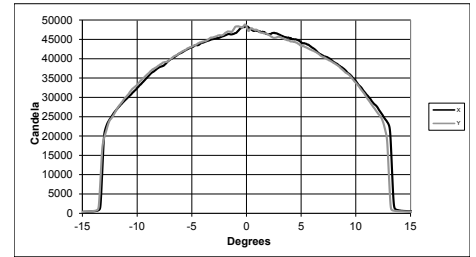
Metric conversions: For meters, multiply feet by 0.3048
For lux, multiply footcandles by 10.76



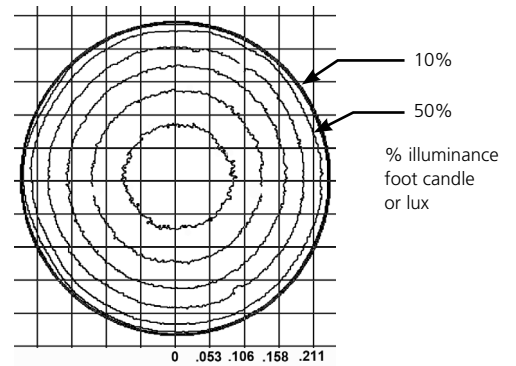
Throw Distance (d)	10ft	15ft	20ft	30ft	212.2ft
	3.0m	4.6m	6.1m	9.1m	64.7m
Field Diameter	4.7ft	7.1ft	9.5ft	14.2ft	-
	1.4m	2.2m	2.9m	4.3m	-
Illuminance (fc)	450	200	113	50.0	1
Illuminance (lux)	4,846	2,154	1,212	538	10.76

For field diameter at any distance, multiply distance by 0.473
For beam diameter at any distance, multiply by 0.445

Candela Plot



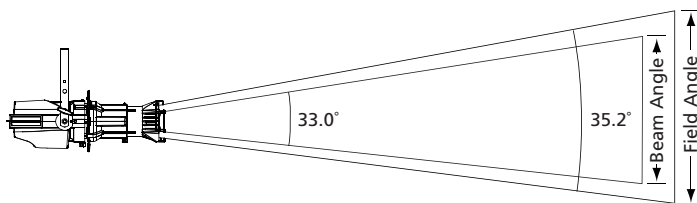
Iso-Illuminance Diagram (Flat Surface Distribution)



ColorSource Spot Deep Blue 36° EDLT

Mode	Degree	Candela	Field Lumens	Beam Lumens	Power Consumption	Efficacy (lpw)
Maximum Output	36°	28,851	5,917	4,736	169	35.0
At 3200K	36°	28,883	5,924	4,742	127	46.6
At 5600K	36°	25,561	5,243	4,196	113	46.4

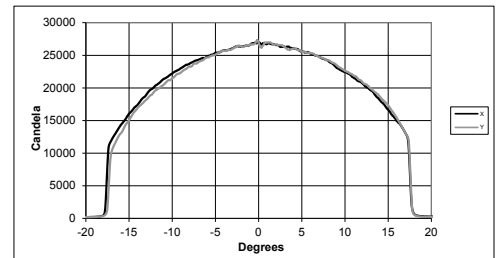
Metric Conversions: For meters, multiply feet by 0.3048
For lux, multiply footcandles by 10.76



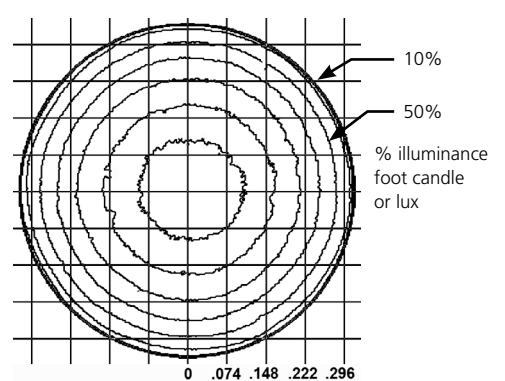
Throw Distance (d)	10ft	15ft	20ft	30ft	169.9ft
	3.0m	4.6m	6.1m	9.1m	51.8
Field Diameter	6.3ft	9.5ft	12.7ft	19.0ft	-
	1.9m	2.9m	3.9m	5.8m	-
Illuminance (fc)	289	128	72	32.1	1
Illuminance (lux)	3,105	1,380	776	345	10.76

For field diameter at any distance, multiply distance by 0.634
For beam diameter at any distance, multiply by 0.592

Candela Plot



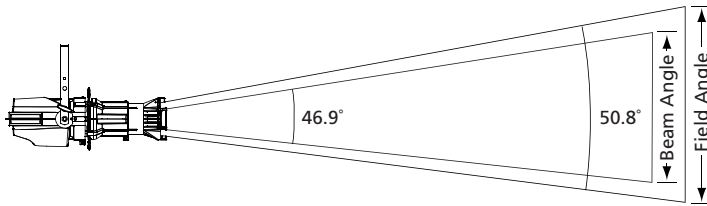
Iso-Illuminance Diagram (Flat Surface Distribution)



ColorSource Spot Deep Blue 50° EDLT

Mode	Degree	Candela	Field Lumens	Beam Lumens	Power Consumption	Efficacy (lpw)
Maximum Output	50°	14,270	5,957	4,156	169	35.2
At 3200K	50°	14,287	5,963	4,161	127	47.0
At 5600K	50°	12,643	5,278	3,682	113	46.7

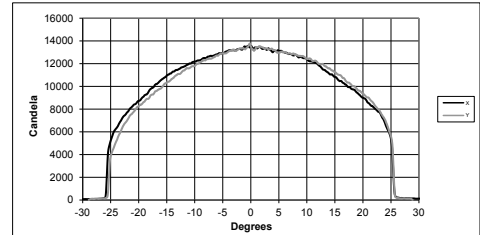
Metric conversions: For meters, multiply feet by 0.3048
For lux, multiply footcandles by 10.76



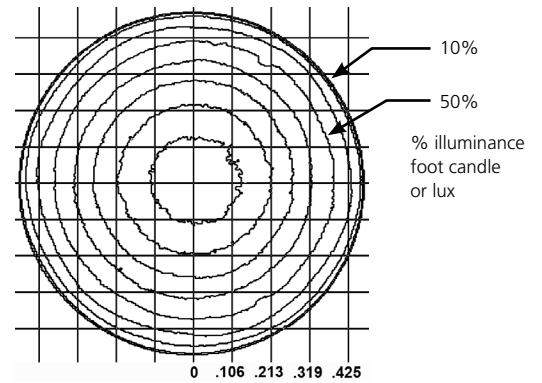
Throw Distance (d)	10ft	15ft	20ft	30ft	119.5ft
	3.0m	4.6m	6.1m	9.1m	36.4m
Field Diameter	9.5ft	14.2ft	19.0ft	28.5ft	-
	2.9m	4.3m	5.8m	8.7m	
Illuminance (fc)	143	63	36	15.9	1
Illuminance (lux)	1,536	683	384	171	10.76

For field diameter at any distance, multiply distance by 0.950
For beam diameter at any distance, multiply by 0.868

Candela Plot



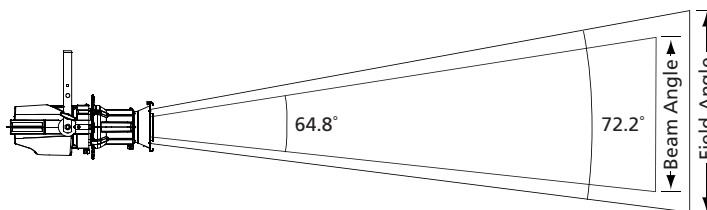
Iso-Illuminance Diagram (Flat Surface Distribution)



ColorSource Spot Deep Blue 70°

Mode	Degree	Candela	Field Lumens	Beam Lumens	Power Consumption	Efficacy (lpw)
Maximum Output	70°	8,942	6,976	3,726	169	41.3
At 3200K	70°	8,953	6,984	3,731	127	55.0
At 5600K	70°	7,923	6,181	3,301	113	54.7

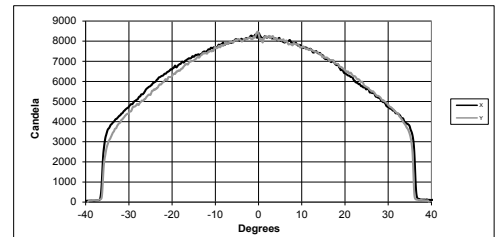
Metric conversions: For meters, multiply feet by 0.3048
For lux, multiply footcandles by 10.76



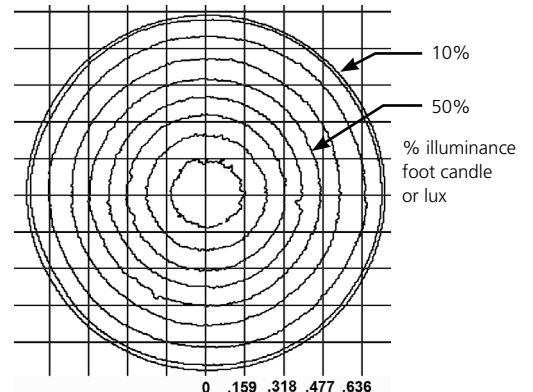
Throw Distance (d)	10ft	15ft	20ft	30ft	94.6ft
	3.0m	4.6m	6.1m	9.1m	28.8m
Field Diameter	14.6ft	21.9ft	29.2ft	43.8ft	-
	4.4m	6.7m	8.9m	13.3m	
Illuminance (fc)	89	40	22	9.9	1
Illuminance (lux)	963	428	241	107	10.76

For field diameter at any distance, multiply distance by 1.458
For beam diameter at any distance, multiply by 1.269

Candela Plot



Iso-Illuminance Diagram (Flat Surface Distribution)

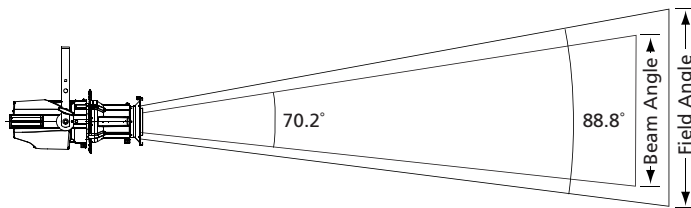


ColorSource Series

ColorSource Spot Deep Blue 90°

Mode	Degree	Candela	Field Lumens	Beam Lumens	Power Consumption	Efficacy (lpw)
Maximum Output	90°	6,846	6,827	3,114	169	40.4
At 3200K	90°	6,853	6,835	3,118	127	53.8
At 5600K	90°	6,065	6,049	2,759	113	53.5

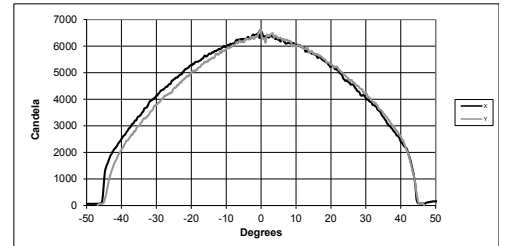
Metric conversions: For meters, multiply feet by 0.3048
For lux, multiply footcandles by 10.76



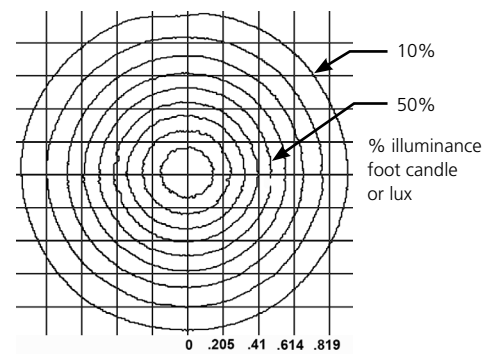
Throw Distance (d)	10ft	15ft	20ft	30ft	82.7ft
	3.0m	4.6m	6.1m	9.1m	25.2m
Field Diameter	19.6ft	29.4ft	39.2ft	58.5ft	-
	6.0m	9.0m	11.9m	17.9m	-
Illuminance (fc)	68	30	17	7.6	1
Illuminance (lux)	737	327	184	82	10.76

For field diameter at any distance, multiply distance by 1.959
For beam diameter at any distance, multiply by 1.406

Candela Plot



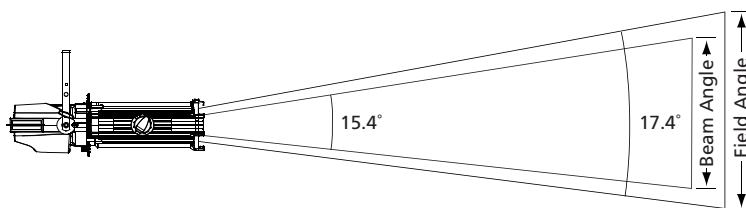
Iso-Illuminance Diagram (Flat Surface Distribution)



ColorSource Spot Deep Blue 15-30° Zoom Narrow

Mode	Degree	Candela	Field Lumens	Beam Lumens	Power Consumption	Efficacy (lpw)
Maximum Output	15°	97,648	4,714	3,682	169	27.9
At 3200K	15°	97,758	4,719	3,687	127	37.2
At 5600K	15°	86,514	4,176	3,263	113	37.0

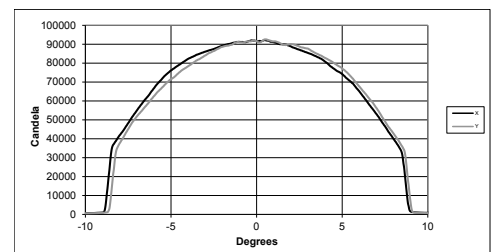
Metric conversions: For meters, multiply feet by 0.3048
For lux, multiply footcandles by 10.76



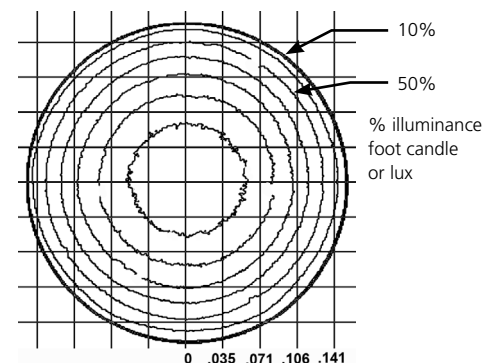
Throw Distance (d)	10ft	15ft	20ft	30ft	313.6ft
	3.0m	4.6m	6.1m	9.1m	95.6m
Field Diameter	3.1ft	4.6ft	6.1ft	9.2ft	-
	0.9m	1.4m	1.9m	2.8m	-
Illuminance (fc)	976	434	244	108.5	1
Illuminance (lux)	10,511	4,671	2,628	1,168	10.76

For field diameter at any distance, multiply distance by 0.306
For beam diameter at any distance, multiply by 0.270

Candela Plot



Iso-Illuminance Diagram (Flat Surface Distribution)

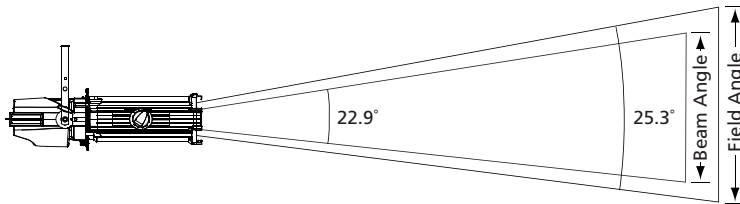


ColorSource Series

ColorSource Spot Deep Blue 15-30° Zoom Mid

Mode	Degree	Candela	Field Lumens	Beam Lumens	Power Consumption	Efficacy (lpw)
Maximum Output	23°	54,314	5,396	4,076	169	31.9
At 3200K	23°	54,375	5,402	4,080	127	42.5
At 5600K	23°	48,121	4,781	3,611	113	42.3

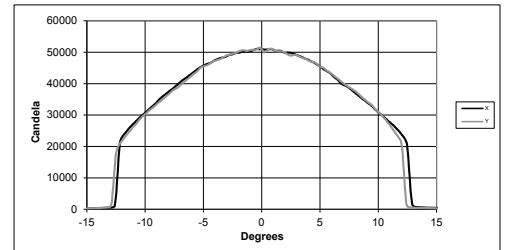
Metric conversions: For meters, multiply feet by 0.3048
For lux, multiply footcandles by 10.76



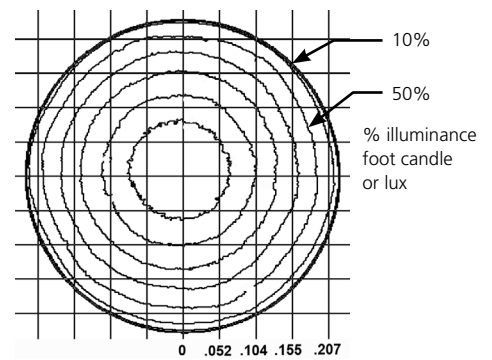
Throw Distance (d)	10ft	15ft	20ft	30ft	233.1ft
	3.0m	4.6m	6.1m	9.1m	71.0m
Field Diameter	4.5ft	6.7ft	9.0ft	13.5ft	-
	1.4m	2.1m	2.7m	4.1m	-
Illuminance (fc)	543	241	136	60.3	1
Illuminance (lux)	5,846	2,598	1,462	650	10.76

For field diameter at any distance, multiply distance by 0.449
For beam diameter at any distance, multiply by 0.405

Candela Plot



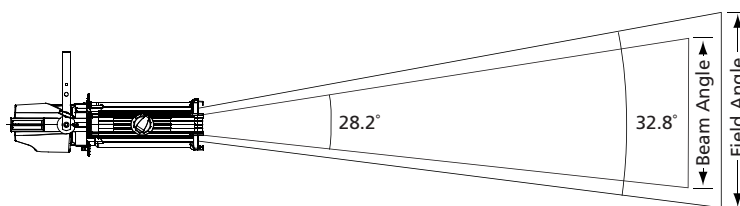
Iso-Illuminance Diagram (Flat Surface Distribution)



ColorSource Spot Deep Blue 15-30° Zoom Wide

Mode	Degree	Candela	Field Lumens	Beam Lumens	Power Consumption	Efficacy (lpw)
Maximum Output	30°	32,294	5,109	3,652	169	30.2
At 3200K	30°	32,331	5,115	3,657	127	40.3
At 5600K	30°	28,612	4,527	3,236	113	40.1

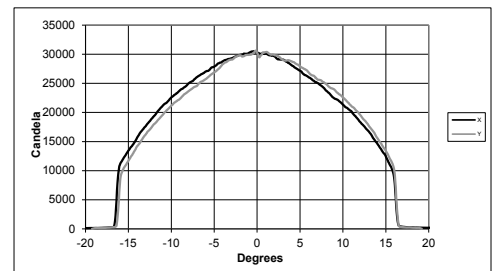
Metric conversions: For meters, multiply feet by 0.3048
For lux, multiply footcandles by 10.76



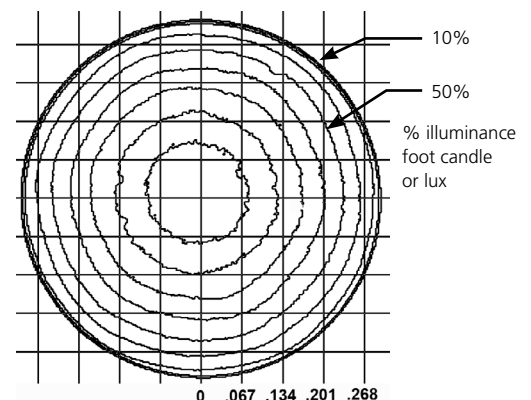
Throw Distance (d)	10ft	15ft	20ft	30ft	179.7ft
	3.0m	4.6m	6.1m	9.1m	54.8m
Field Diameter	5.9ft	8.8ft	11.8ft	17.7ft	-
	1.8m	2.7m	3.6m	5.4m	-
Illuminance (fc)	323	144	81	35.9	1
Illuminance (lux)	3,476	1,545	869	386	10.76

For field diameter at any distance, multiply distance by 0.589
For beam diameter at any distance, multiply by 0.502

Candela Plot



Iso-Illuminance Diagram (Flat Surface Distribution)

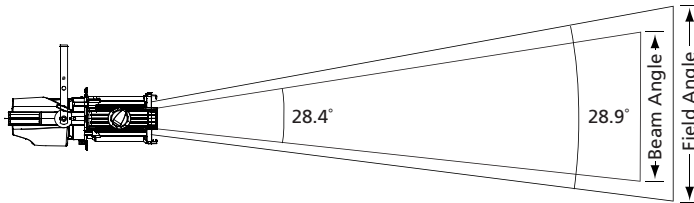


ColorSource Series

ColorSource Spot Deep Blue 25-50° Zoom Narrow

Mode	Degree	Candela	Field Lumens	Beam Lumens	Power Consumption	Efficacy (lpw)
Maximum Output	25°	41,334	6,302	5,803	169	37.3
At 3200K	25°	41,381	6,309	5,810	127	49.7
At 5600K	25°	36,622	5,583	5,141	113	49.4

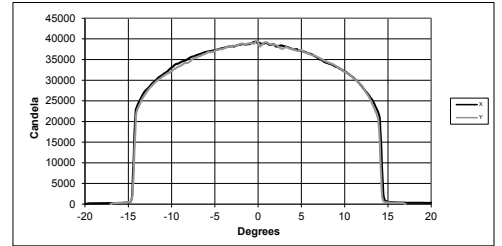
Metric conversions: For meters, multiply feet by 0.3048
For lux, multiply footcandles by 10.76



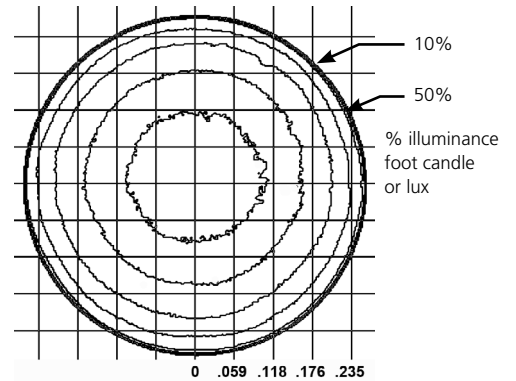
Throw Distance (d)	10ft	15ft	20ft	30ft	203.3ft
	3.0m	4.6m	6.1m	9.1m	62.0m
Field Diameter	5.2ft	7.7ft	10.3ft	15.5ft	-
	1.6m	2.4m	3.1m	4.7m	
Illuminance (fc)	413	184	103	45.9	1
Illuminance (lux)	4,449	1,977	1,112	494	10.76

For field diameter at any distance, multiply distance by 0.515
For beam diameter at any distance, multiply by 0.506

Candela Plot



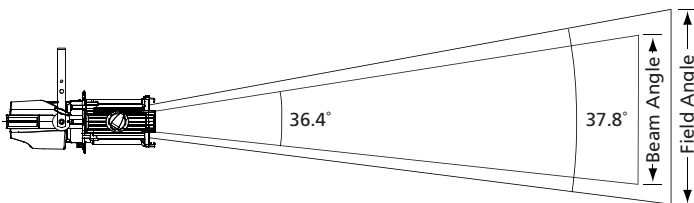
Iso-Illuminance Diagram (Flat Surface Distribution)



ColorSource Spot Deep Blue 25-50° Zoom Mid

Mode	Degree	Candela	Field Lumens	Beam Lumens	Power Consumption	Efficacy (lpw)
Maximum Output	37°	26,716	6,669	5,576	169	39.5
At 3200K	37°	26,746	6,677	5,582	127	52.6
At 5600K	37°	23,670	5,909	4,940	113	52.3

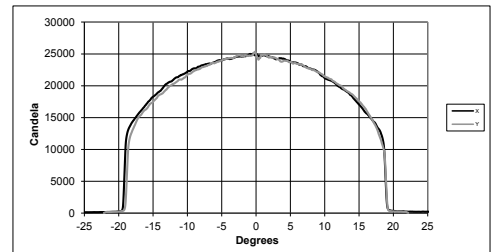
Metric conversions: For meters, multiply feet by 0.3048
For lux, multiply footcandles by 10.76



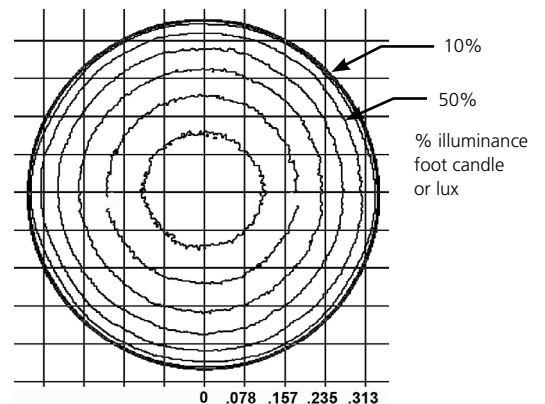
Throw Distance (d)	10ft	15ft	20ft	30ft	163.4ft
	3.0m	4.6m	6.1m	9.1m	49.8m
Field Diameter	6.8ft	10.3ft	13.7ft	20.5ft	-
	2.1m	3.1m	4.2m	6.3m	
Illuminance (fc)	267	119	67	29.7	1
Illuminance (lux)	2,876	1,278	719	320	10.76

For field diameter at any distance, multiply distance by 0.685
For beam diameter at any distance, multiply by 0.658

Candela Plot



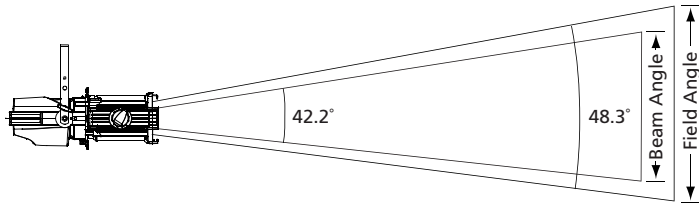
Iso-Illuminance Diagram (Flat Surface Distribution)



ColorSource Spot Deep Blue 25-50° Zoom Wide

Mode	Degree	Candela	Field Lumens	Beam Lumens	Power Consumption	Efficacy (lpw)
Maximum Output	50°	17,726	6,601	4,268	169	39.1
At 3200K	50°	17,746	6,608	4,273	127	52.0
At 5600K	50°	15,705	5,848	3,781	113	51.8

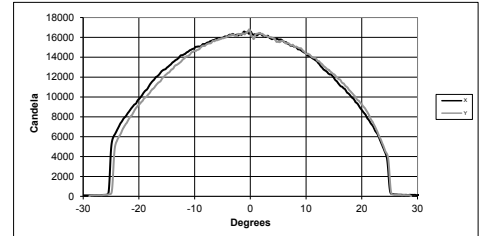
Metric conversions: For meters, multiply feet by 0.3048
 For lux, multiply footcandles by 10.76



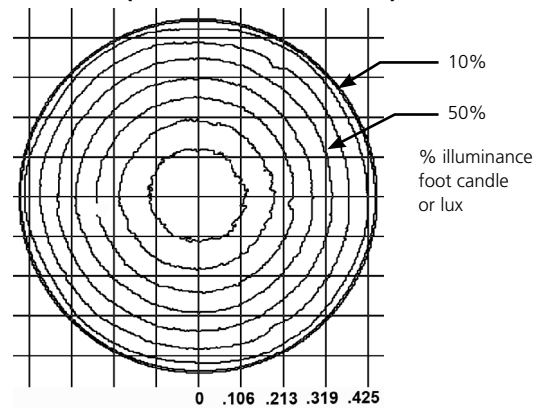
Throw Distance (d)	10ft	15ft	20ft	30ft	133.1ft
	3.0m	4.6m	6.1m	9.1m	40.6m
Field Diameter	9.0ft	13.5ft	17.9ft	26.9ft	-
	2.7m	4.1m	5.5m	8.2m	
Illuminance (fc)	177	79	44	19.7	1
Illuminance (lux)	1,908	848	477	212	10.76

For field diameter at any distance, multiply distance by 0.897
 For beam diameter at any distance, multiply by 0.772

Candela Plot



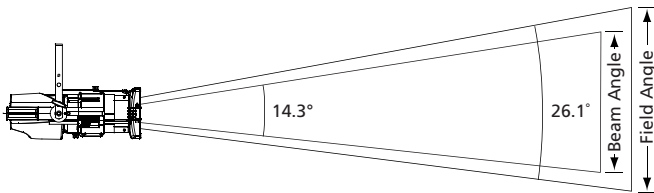
Iso-Illuminance Diagram (Flat Surface Distribution)



ColorSource Spot Deep Blue with Fresnel Adapter - Spot

Mode	Candela	Field Lumens	Beam Lumens	Power Consumption	Efficacy (lpw)
Maximum Output	72,934	4,468	2,302	169	26.4
At 3200K	73,016	4,473	2,304	127	35.2
At 5600K	64,618	3,959	2,039	113	35.0

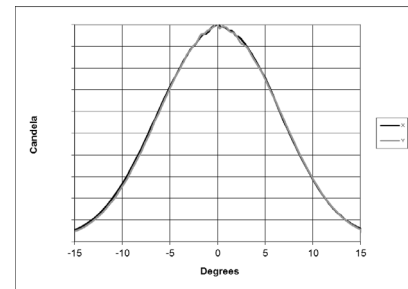
Metric conversions: For meters, multiply feet by 0.3048
For lux, multiply foot-candles by 10.76



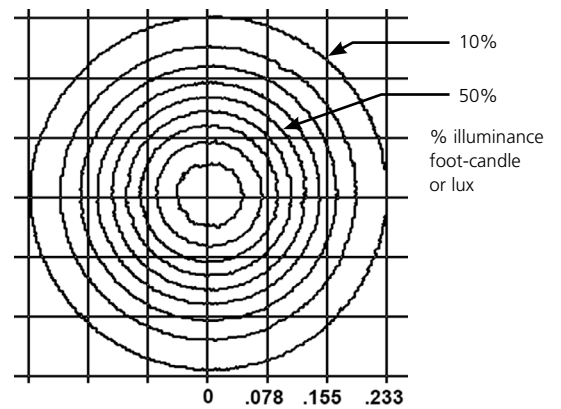
Throw Distance (d)	10ft	15ft	20ft	30ft	270.1ft
	3.0m	4.6m	6.1m	9.1m	82.3m
Field Diameter	4.6ft	7.0ft	9.3ft	13.9ft	-
	1.4m	2.1m	2.8m	4.2m	-
Illuminance (fc)	729	324	182	81.0	1.0
Illuminance (lux)	7,851	3,489	1,963	872	10.76

For field diameter at any distance, multiply distance by 0.464
For beam diameter at any distance, multiply by 0.251

Candela Plot



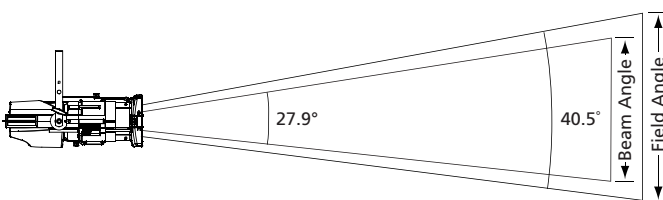
Iso-Illuminance Diagram (Flat Surface Distribution)



ColorSource Spot Deep Blue with Fresnel Adapter - Mid

Mode	Candela	Field Lumens	Beam Lumens	Power Consumption	Efficacy (lpw)
Maximum Output	33,337	6,303	4,220	169	37.3
At 3200K	33,375	6,310	4,225	127	49.7
At 5600K	29,536	5,584	3,739	113	49.4

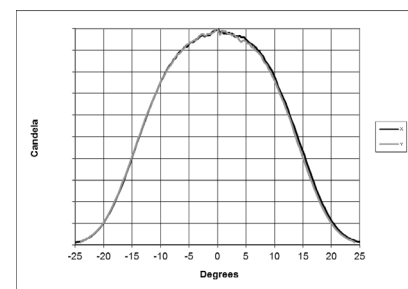
Metric conversions: For meters, multiply feet by 0.3048
For lux, multiply foot-candles by 10.76



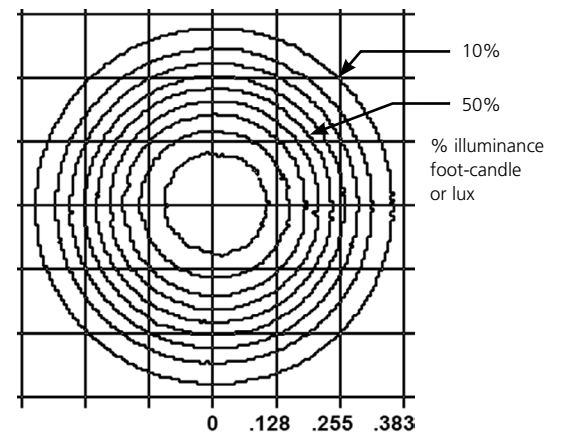
Throw Distance (d)	10ft	15ft	20ft	30ft	182.6ft
	3.0m	4.6m	6.1m	9.1m	55.7m
Field Diameter	7.4ft	11.1ft	14.8ft	22.1ft	-
	2.2m	3.4m	4.5m	6.7m	-
Illuminance (fc)	333	148	83	37.0	1.0
Illuminance (lux)	3,588	1,595	897	399	10.76

For field diameter at any distance, multiply distance by 0.738
For beam diameter at any distance, multiply by 0.497

Candela Plot



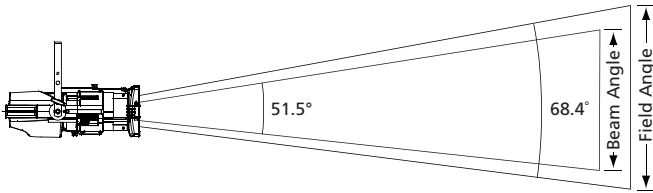
Iso-Illuminance Diagram (Flat Surface Distribution)



ColorSource Spot Deep Blue with Fresnel Adapter - Flood

Mode	Candela	Field Lumens	Beam Lumens	Power Consumption	Efficacy (lpw)
Maximum Output	11,308	6,488	4,301	169	38.4
At 3200K	11,320	6,496	4,306	127	51.1
At 5600K	10,018	5,749	3,810	113	50.9

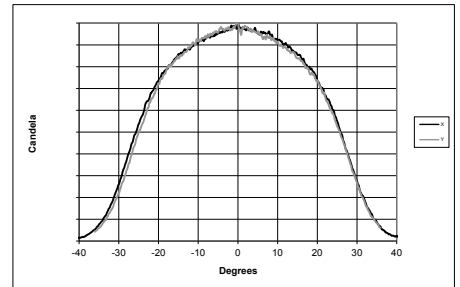
Metric conversions: For meters, multiply feet by 0.3048
For lux, multiply foot-candles by 10.76



Throw Distance (d)	10ft	15ft	20ft	30ft	106.3ft
	3.0m	4.6m	6.1m	9.1m	32.4m
Field Diameter	13.6ft 4.1m	20.4ft 6.2m	27.2ft 8.3m	40.8ft 12.4m	-
Illuminance (fc)	113	50	28	12.6	1.0
Illuminance (lux)	1,217	541	304	135	10.76

For field diameter at any distance, multiply distance by 1.359
For beam diameter at any distance, multiply by 0.965

Candela Plot



Iso-Illuminance Diagram (Flat Surface Distribution)

